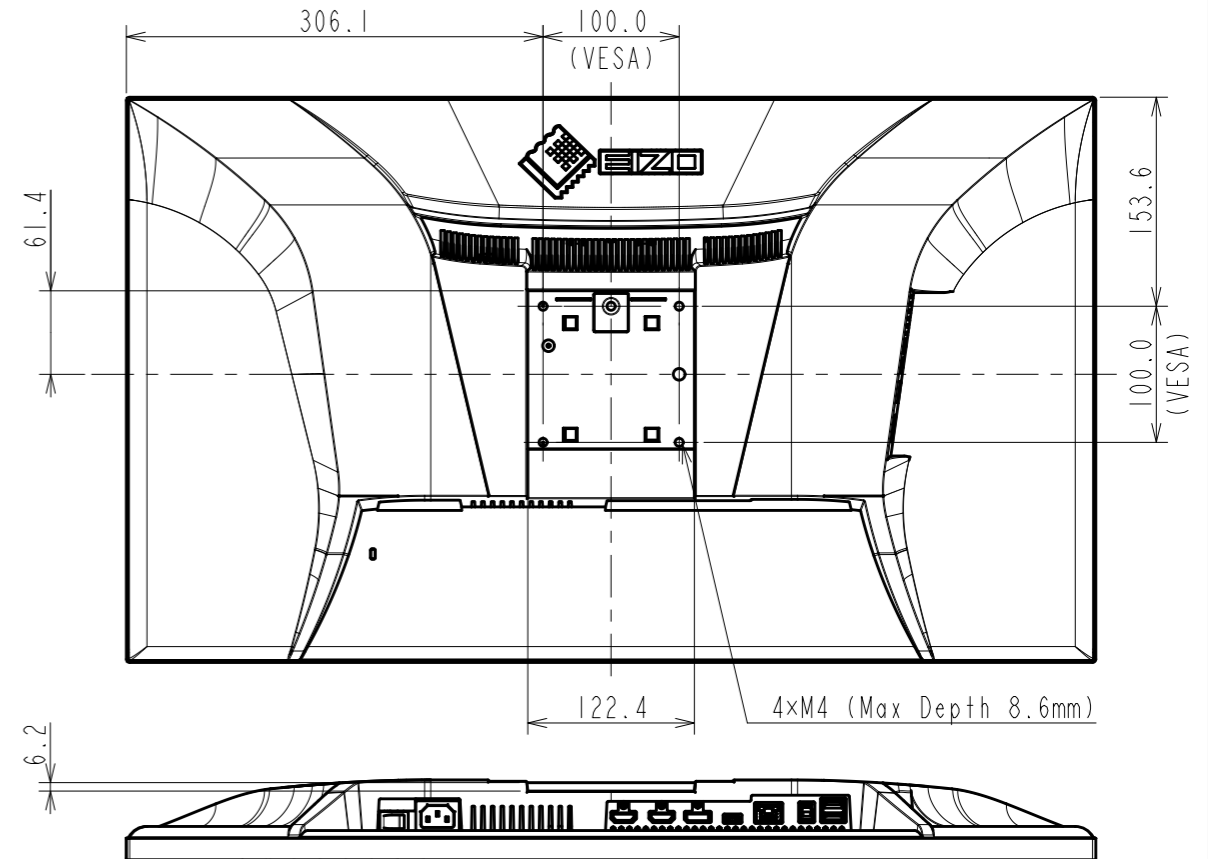
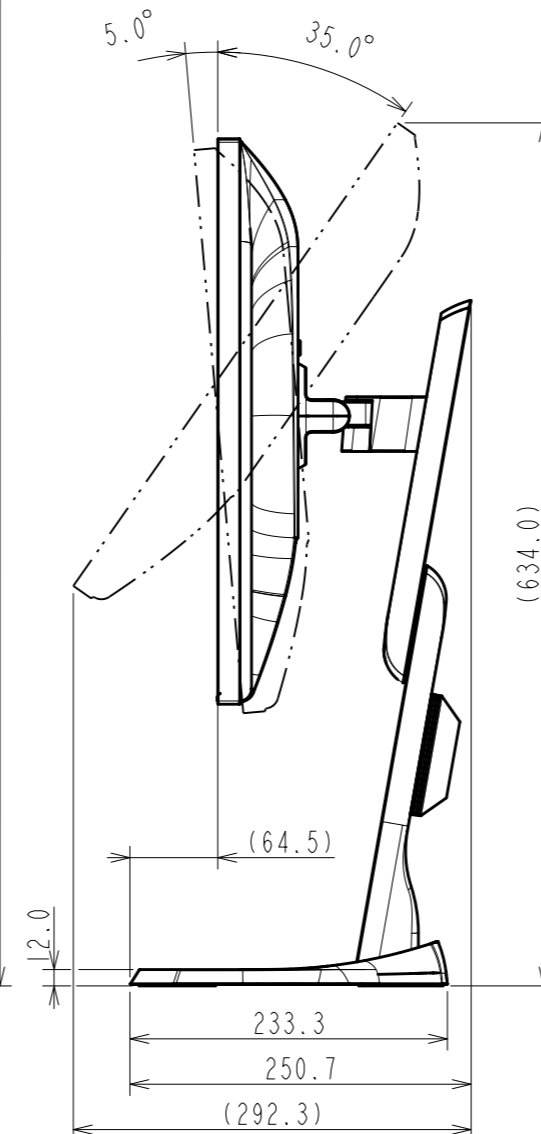
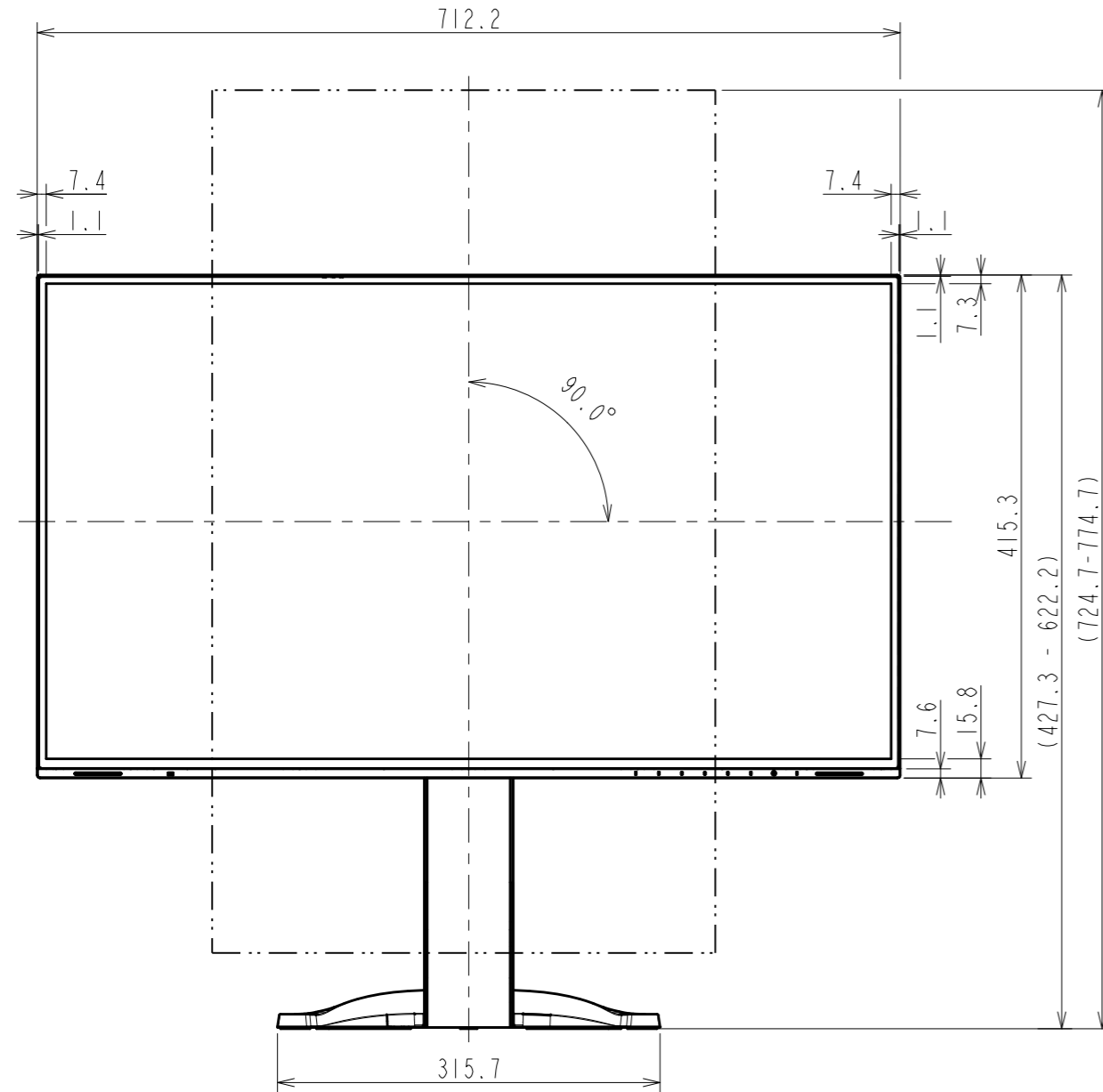
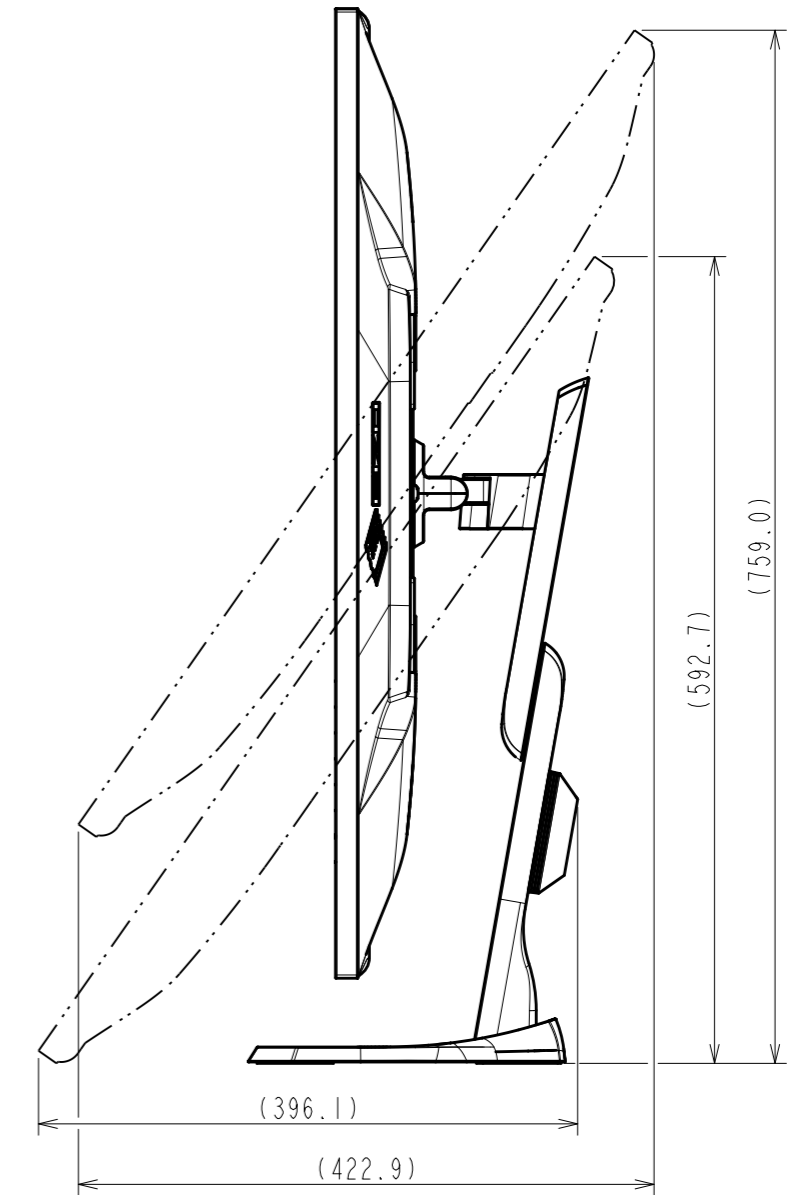
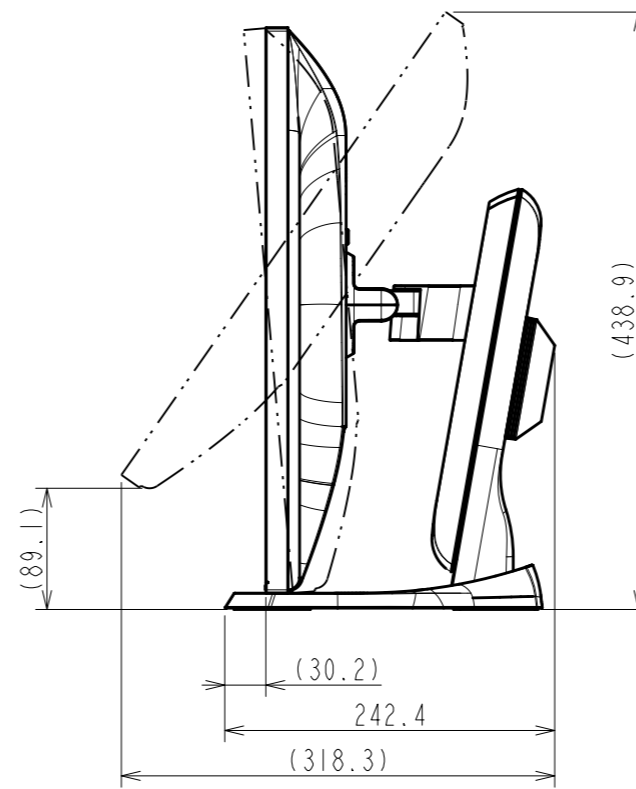
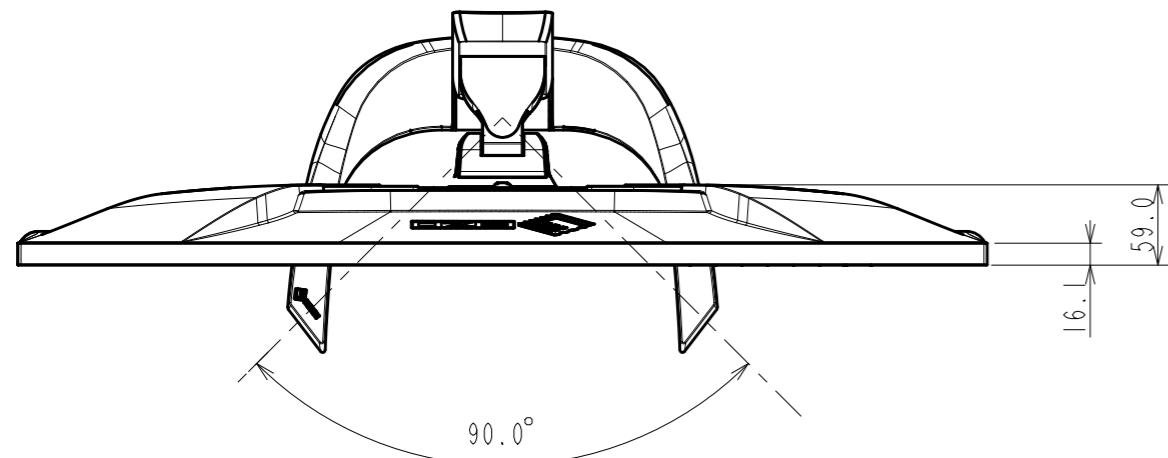


OUTLINE DIMENSIONS

MODEL EV3240X

UNIT mm

EIZO Corporation



OUTLINE DIMENSIONS

MODEL EV3240X

UNIT mm

EIZO Corporation

