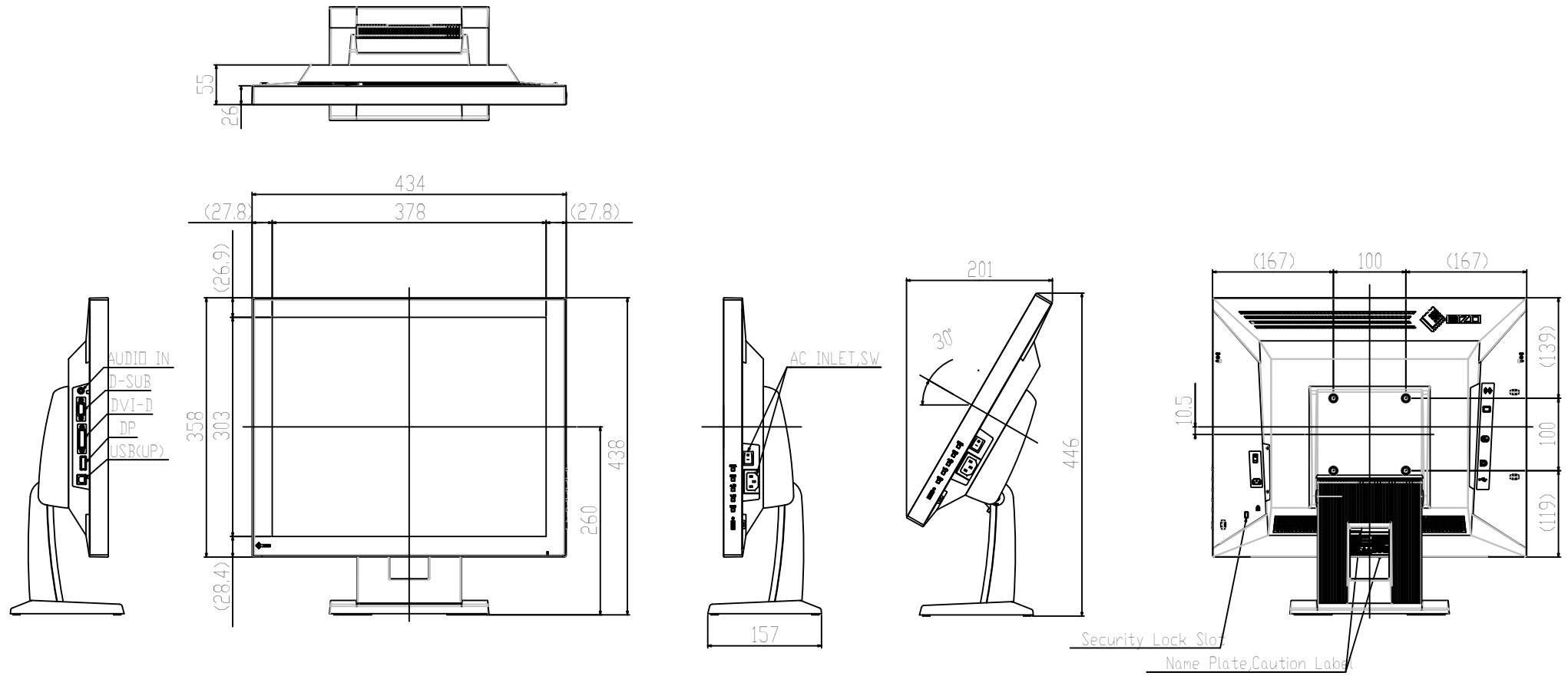


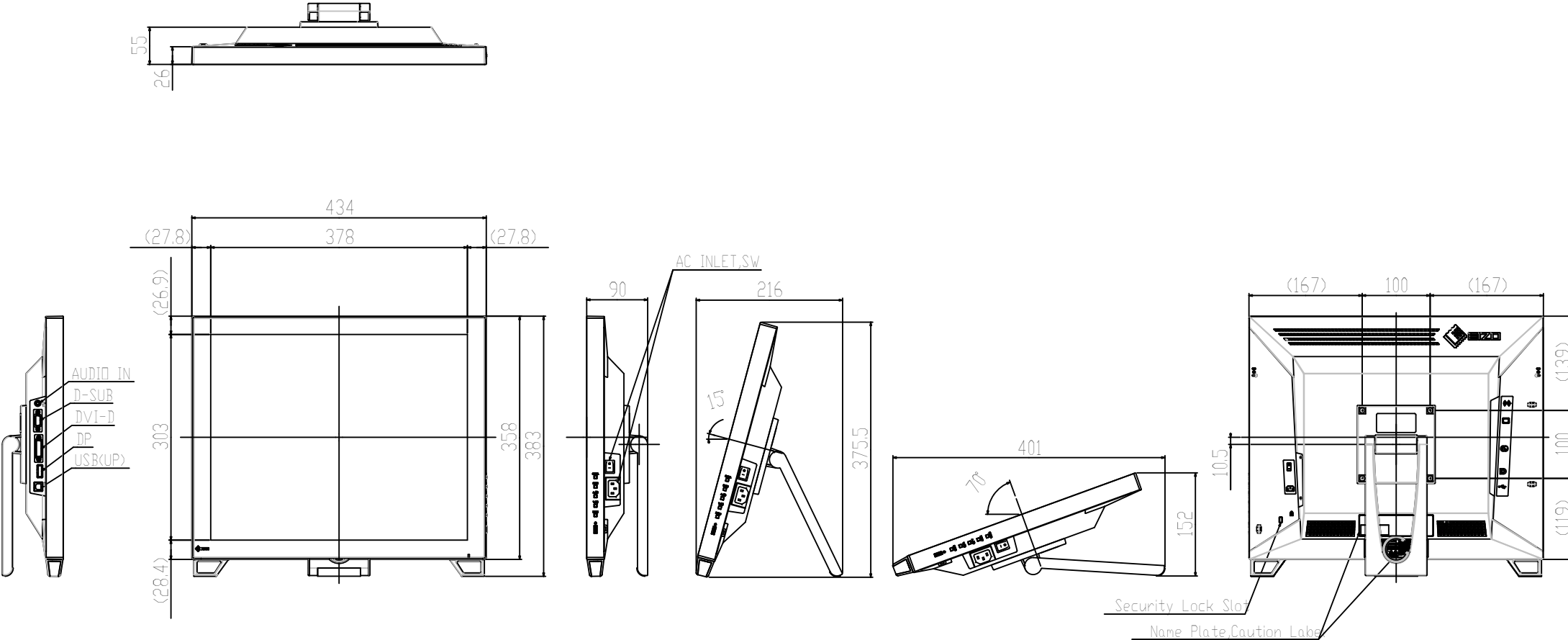
# FDS1921T-T

Unit: mm



# FDS1921T-L

Unit: mm



# FDS1921T-F

Unit: mm

