



# **Installation Manual**

## **PCSK-03**

# Introduction

This installation manual explains how to install PCSK-03 on typical computers (does not cover all computers).

## PC

<b>HP t520 Thin Client</b>	<b><a href="#">page 6</a></b>
<b>HP t310 Zero Client</b>	<b><a href="#">page 7</a></b>
<b>HP Z2 Mini G3 Workstation / G4 Workstation</b>	<b><a href="#">page 8</a></b>
<b>HP EliteDesk800 G3 DM</b>	<b><a href="#">page 9</a></b>
<b>HP Elite Slice</b>	<b><a href="#">page 10</a></b>
<b>HP t310 G2 Zero Client</b>	<b><a href="#">page 11</a></b>
<b>HP t530 Thin Client</b>	<b><a href="#">page 12</a></b>
<b>Dell Wyse 3010TC / T10 / 5030PCoIP / P25</b>	<b><a href="#">page 14</a></b>
<b>Dell Wyse 5010TC / D10D / D10DP</b>	<b><a href="#">page 15</a></b>
<b>GIGABYTE GB-BKi7HT2-7500 / GB-BKi7HT-7500</b>	<b><a href="#">page 16</a></b>
<b>Lenovo ThinkStation P320 Tiny</b>	<b><a href="#">page 17</a></b>
<b>FUJITSU FUTRO S740</b>	<b><a href="#">page 18</a></b>
<b>EIZO DuraVision DX0211-IP</b>	<b><a href="#">page 20</a></b>
<b>EIZO DuraVision EVS1VX / EVS1VS</b>	<b><a href="#">page 21</a></b>

HP is a registered trademark of HP Hewlett Packard Group LLC.

EliteDesk and Elite Slice are a registered trademark of Hewlett-Packard Development Company, L.P.

Dell is a registered trademark of Dell Inc.

Wyse is a trademark or a registered trademark of Dell Inc.

GIGABYTE is a registered trademark of GIGA-BYTE Technology Co., Ltd.

Lenovo, ThinkCentre and ThinkStation are registered trademarks of Lenovo Corporation.

TORX is a registered trademark of Acument Intellectual Properties, LLC.

FUTRO is a registered trademark of Fujitsu Client Computing Limited.

EIZO, the EIZO Logo and DuraVision are registered trademarks of EIZO Corporation in Japan and other countries.

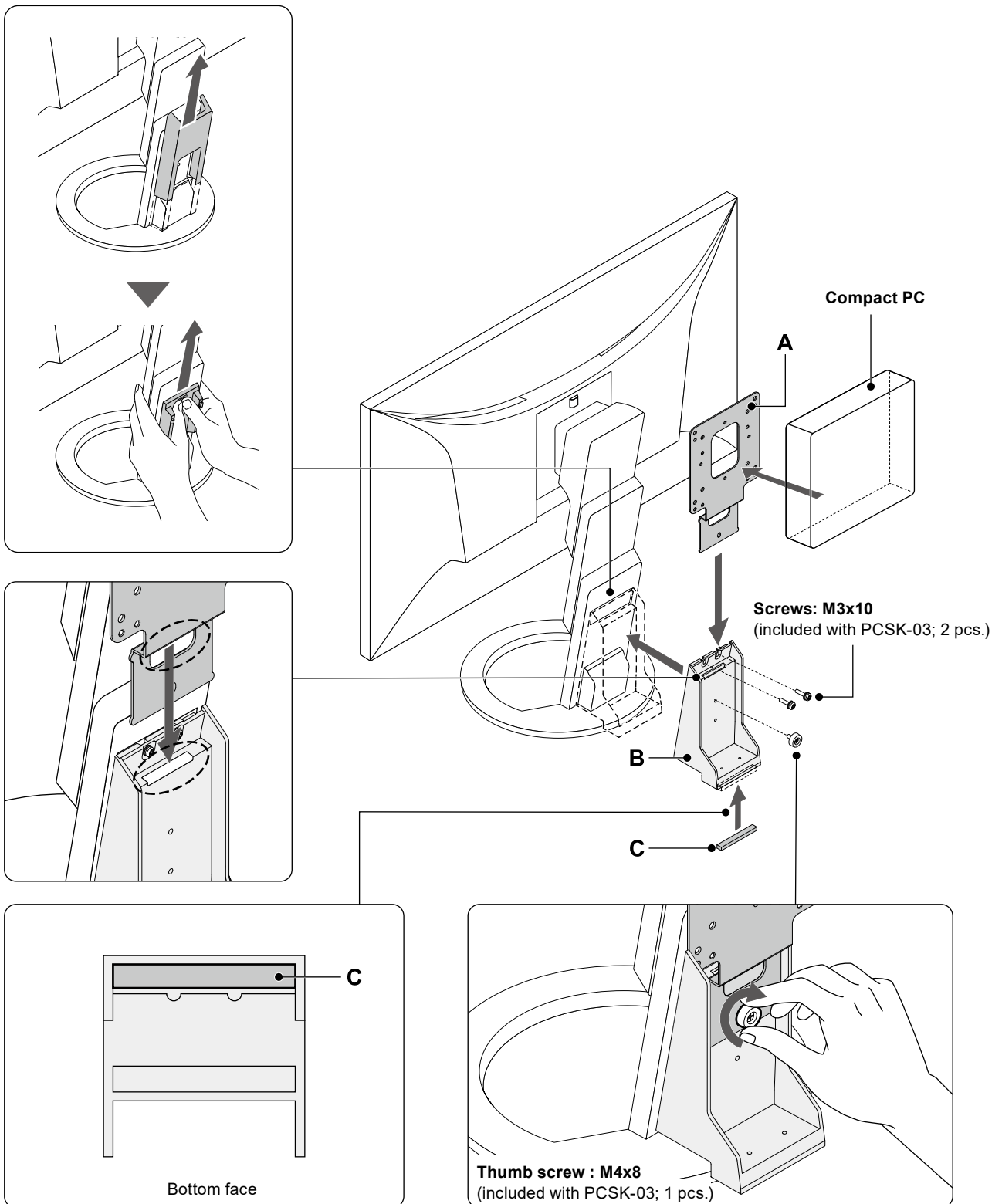
All other company names, product names, and logos are trademarks or registered trademarks of their respective companies.

# How to Install a PC on a Monitor

## ● FlexScan EV2495 / EV2795 / EV2760 / EV2480 / EV2485 / EV2490 / EV2781

### Attention

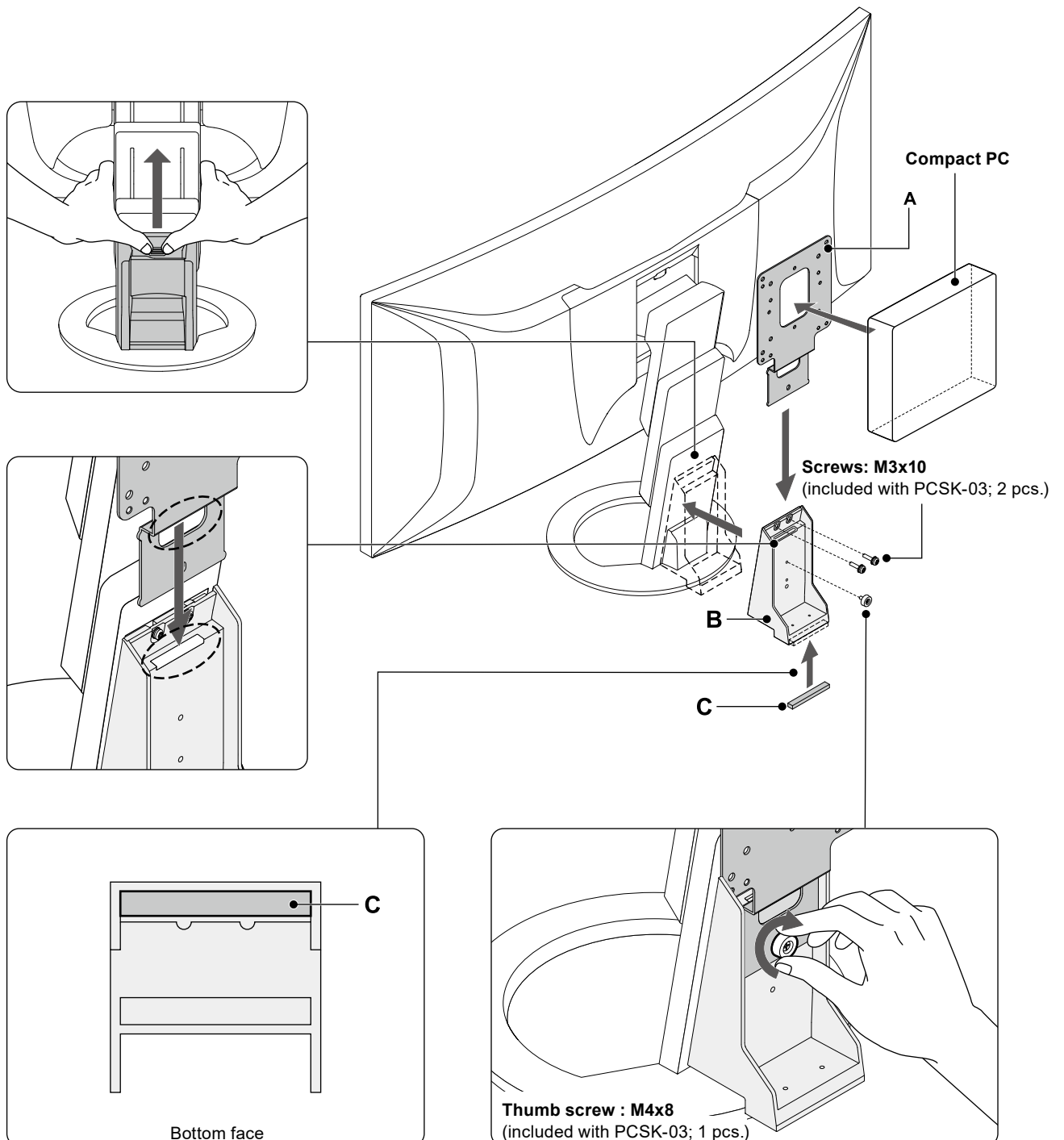
- Using the below figure as a reference, attach part C to part B beforehand. The method for attaching part C is not included within the explanation of the attachment method for each computer.



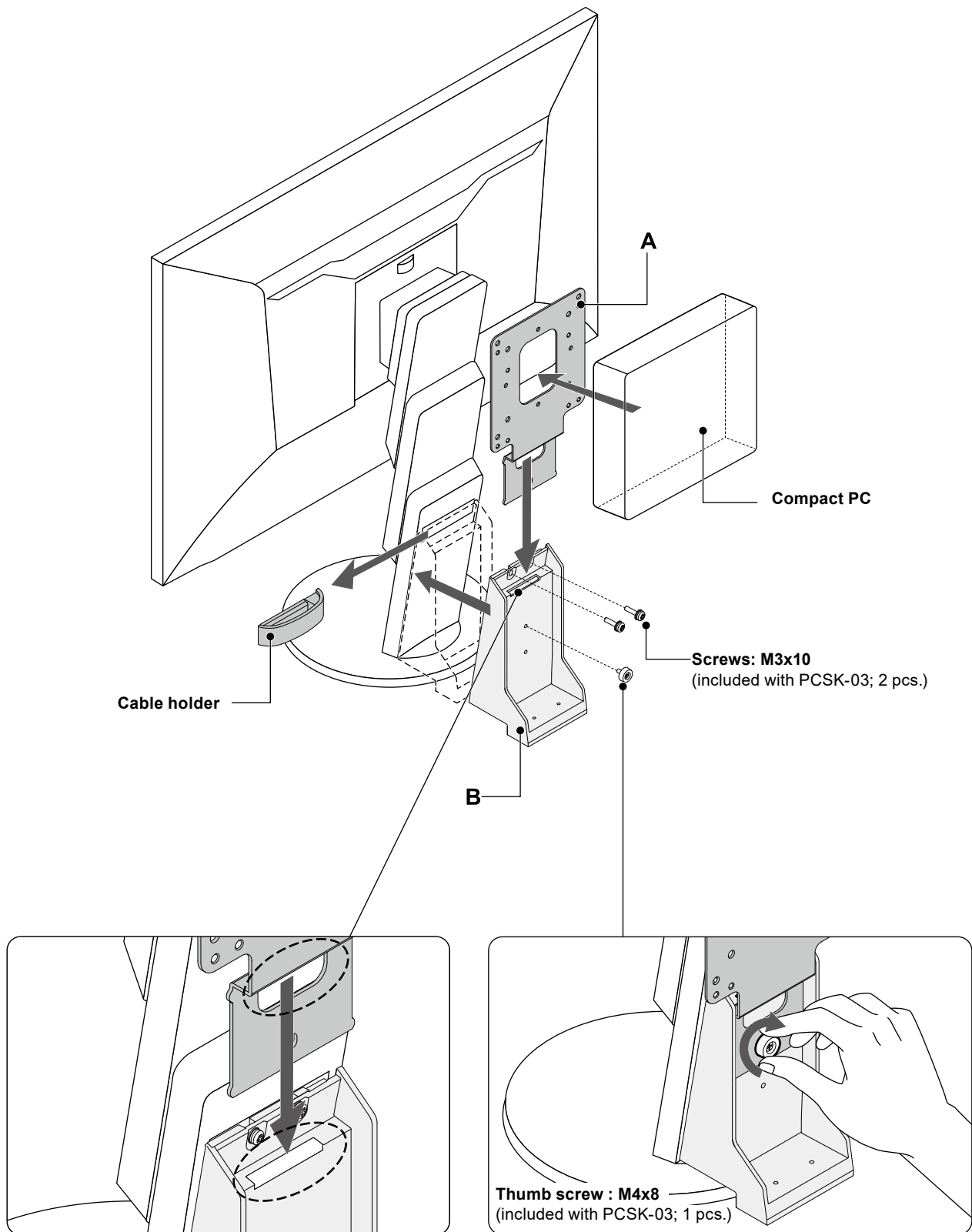
## ● FlexScan EV3895

### Attention

- Using the below figure as a reference, attach part C to part B beforehand. The method for attaching part C is not included within the explanation of the attachment method for each computer.



● For other compatible monitors



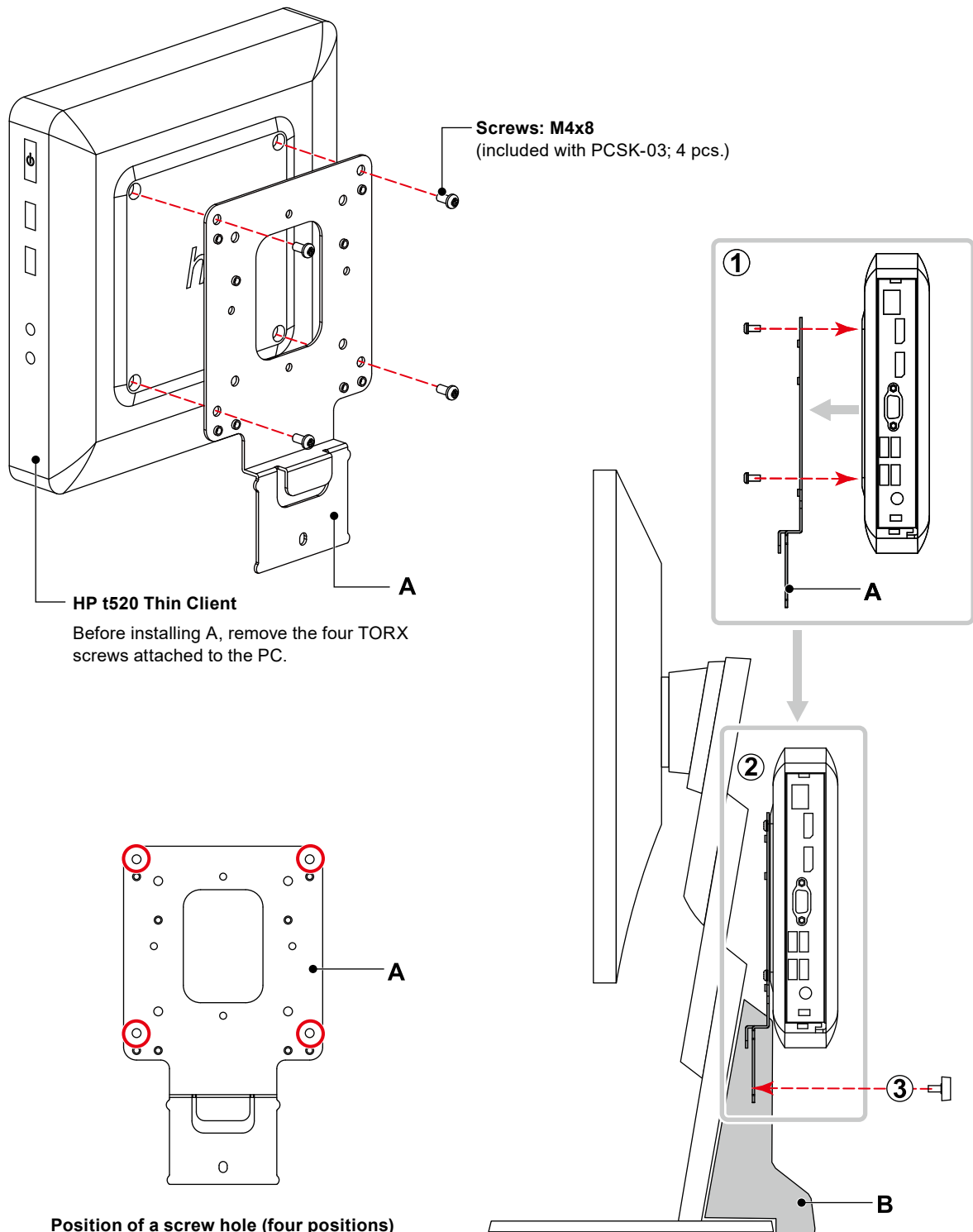
# HP t520 Thin Client

## Parts required

- Screws: M4x8 (included with PCSK-03; 4 pcs.)

## Tools required

- Phillips screwdriver (#2)
- TORX driver (T10)



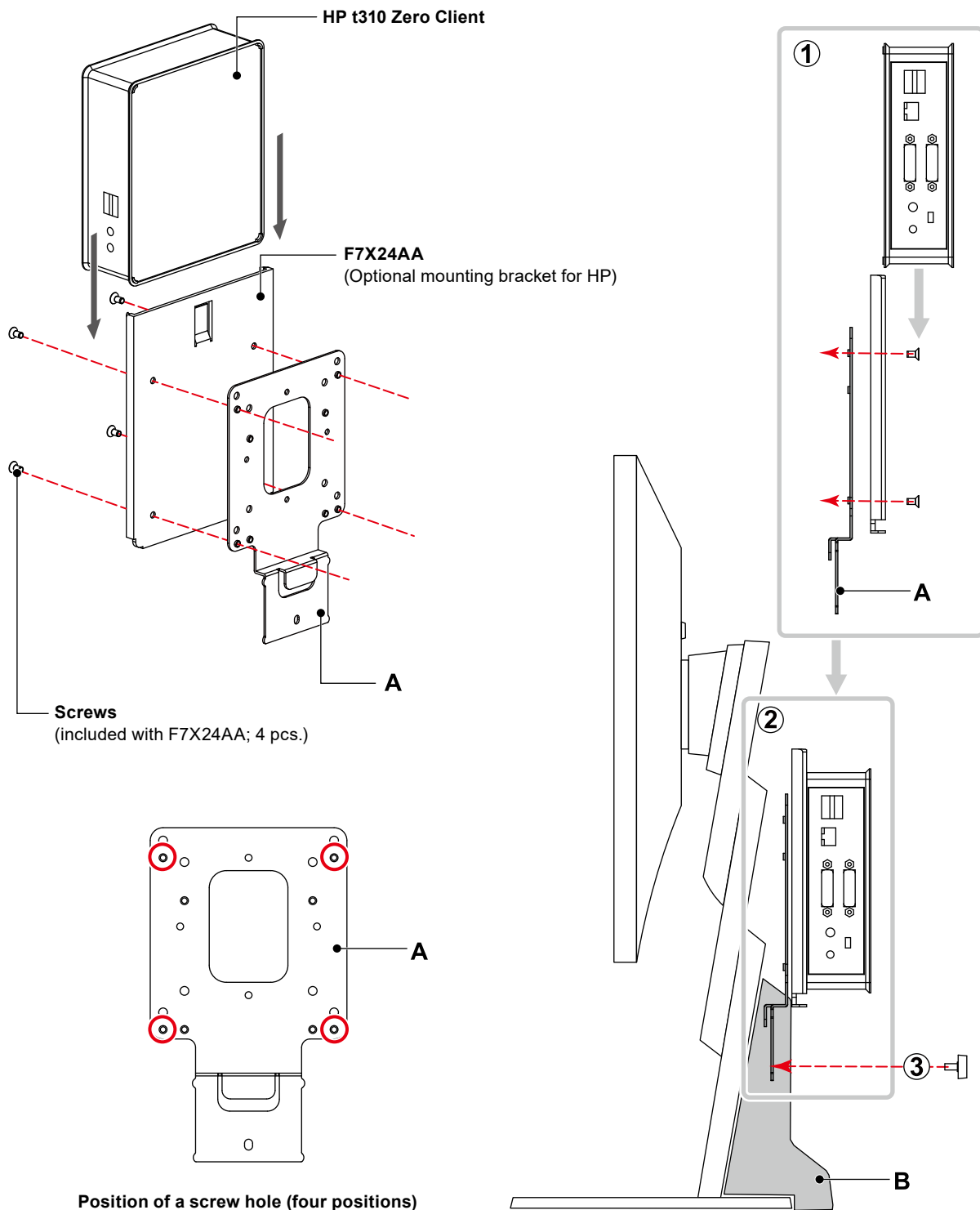
# HP t310 Zero Client

## Parts required

- F7X24AA (Optional mounting bracket for HP)
- Screws (included with F7X24AA; 4 pcs.)

## Tools required

- Phillips screwdriver (#2)



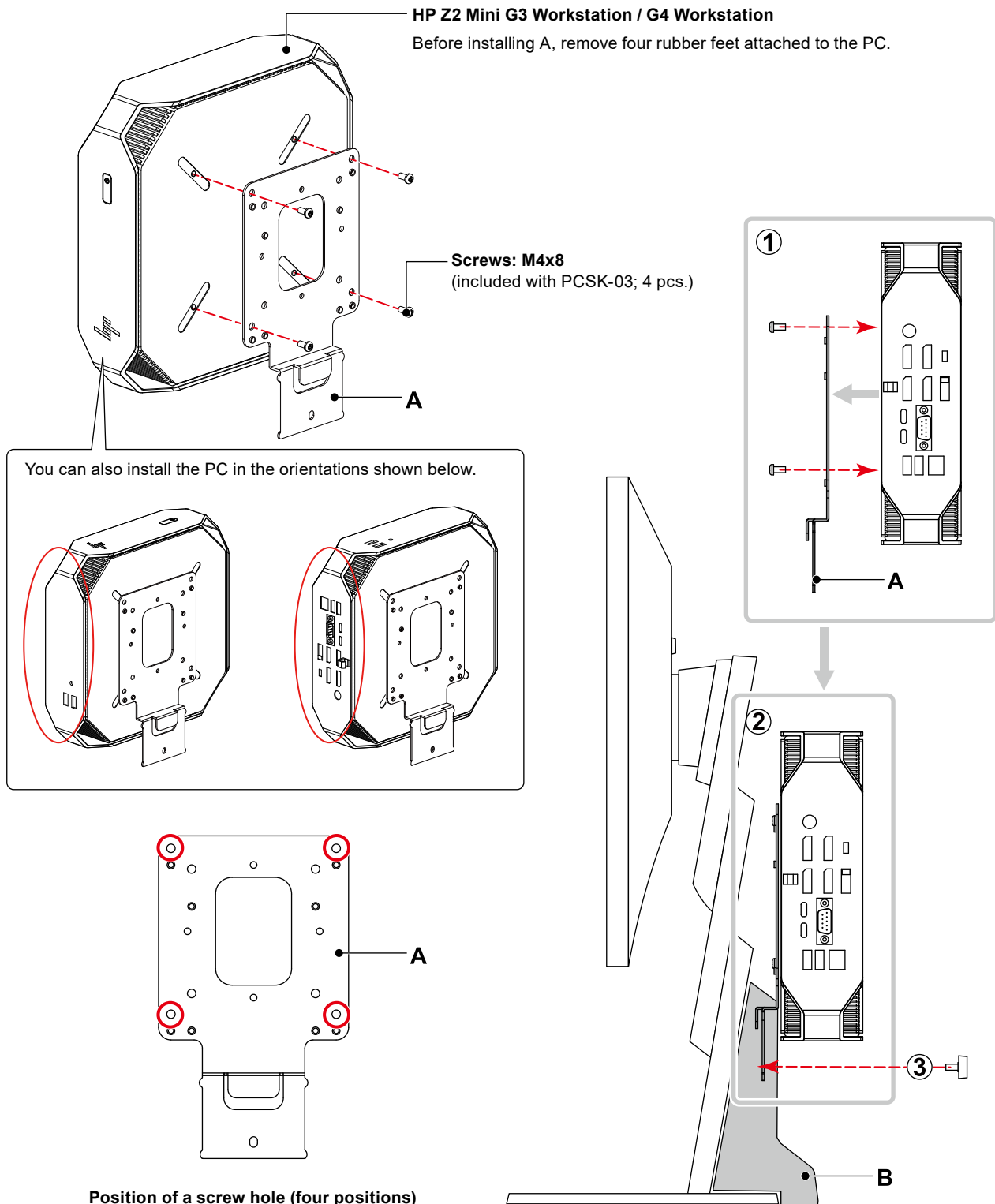
# HP Z2 Mini G3 Workstation / G4 Workstation

## Parts required

- Screws: M4x8 (included with PCSK-03; 4 pcs.)

## Tools required

- Phillips screwdriver (#2)





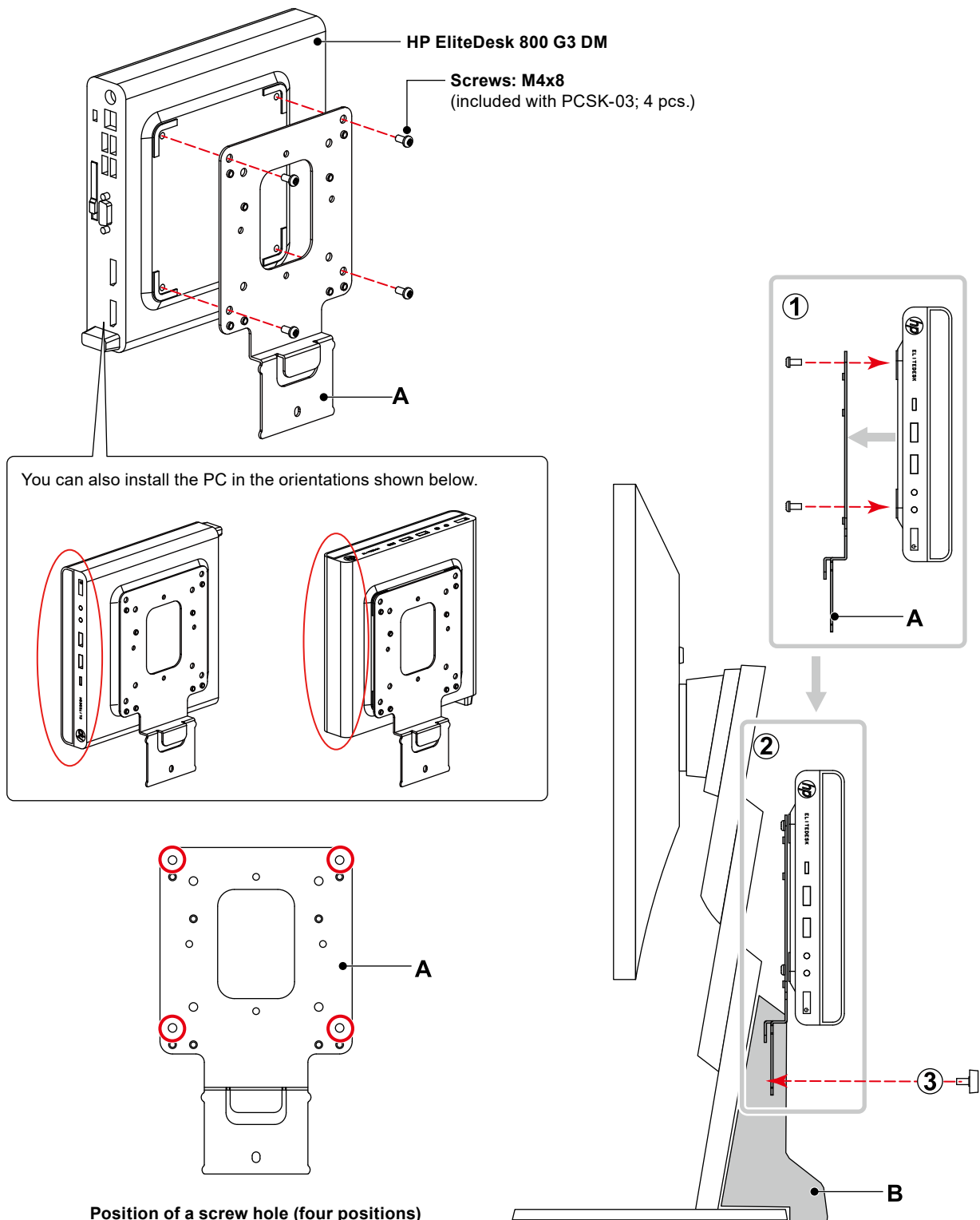
# HP EliteDesk800 G3 DM

## Parts required

- Screws: M4x8 (included with PCSK-03; 4 pcs.)

## Tools required

- Phillips screwdriver (#2)



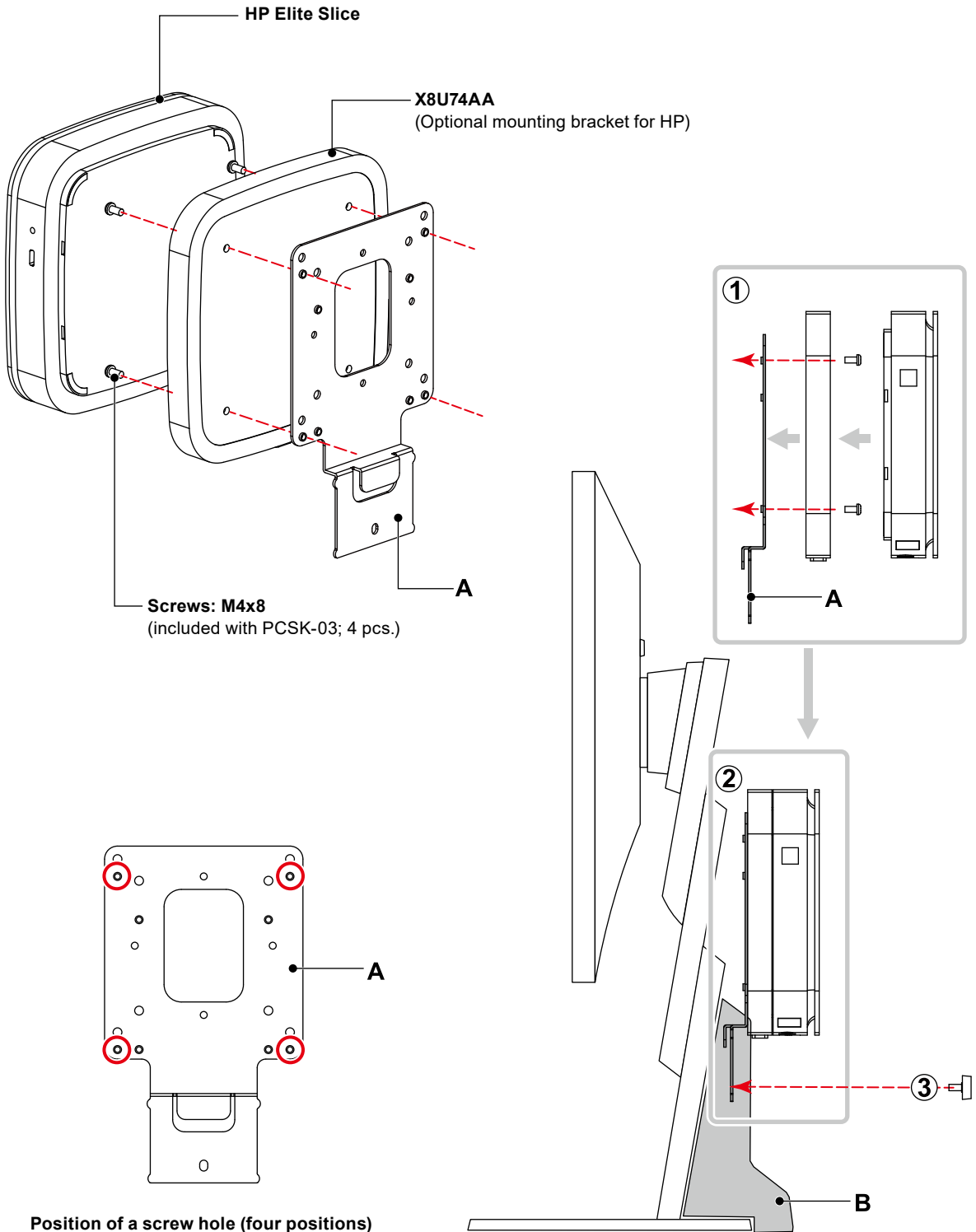
# HP Elite Slice

## Parts required

- X8U74AA (Optional mounting bracket for HP)
- Screws: M4x8 (included with PCSK-03; 4 pcs.)

## Tools required

- Phillips screwdriver (#2)



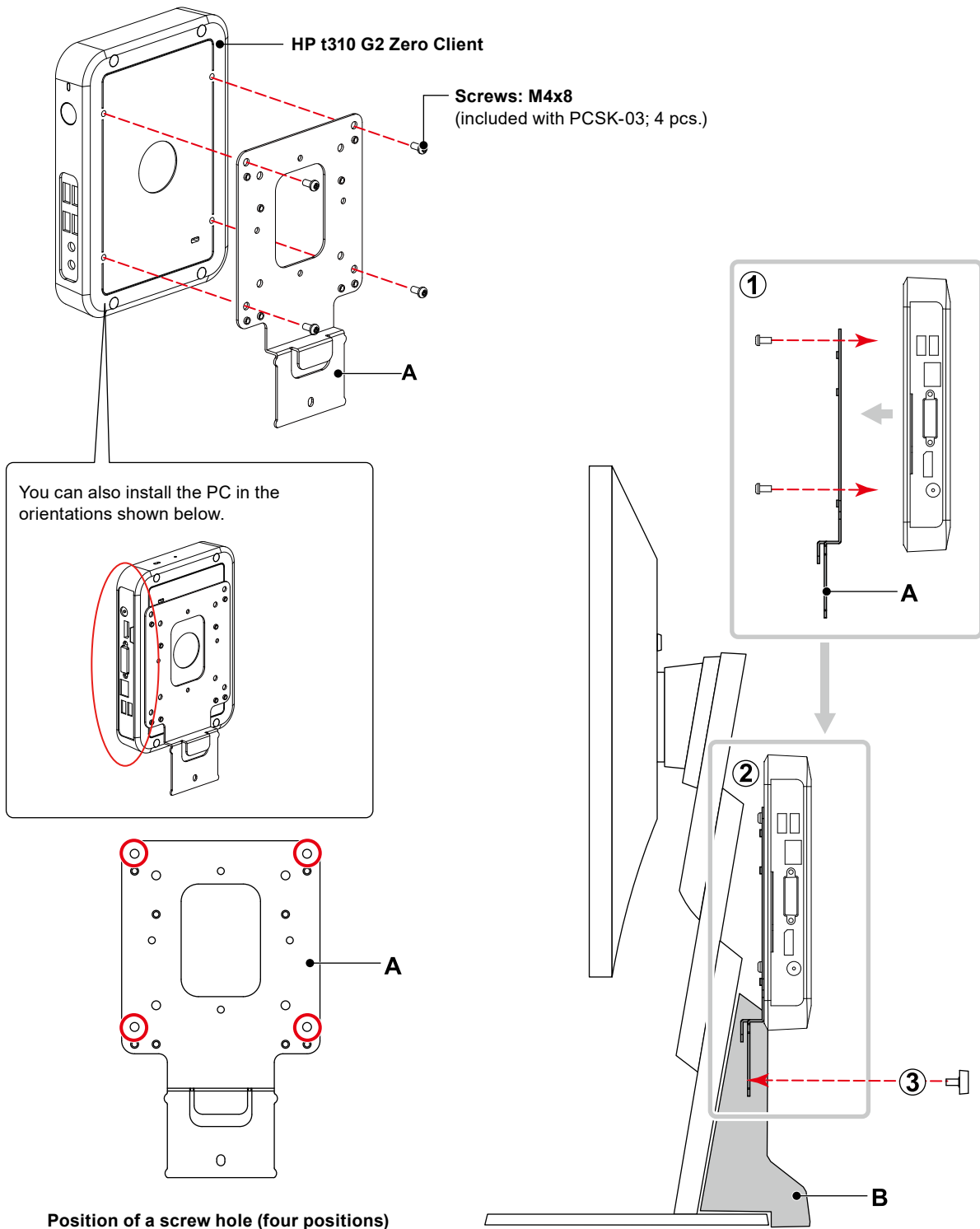
# HP t310 G2 Zero Client

## Parts required

- Screws: M4x8 (included with PCSK-03; 4 pcs.)

## Tools required

- Phillips screwdriver (#2)



# HP t530 Thin Client

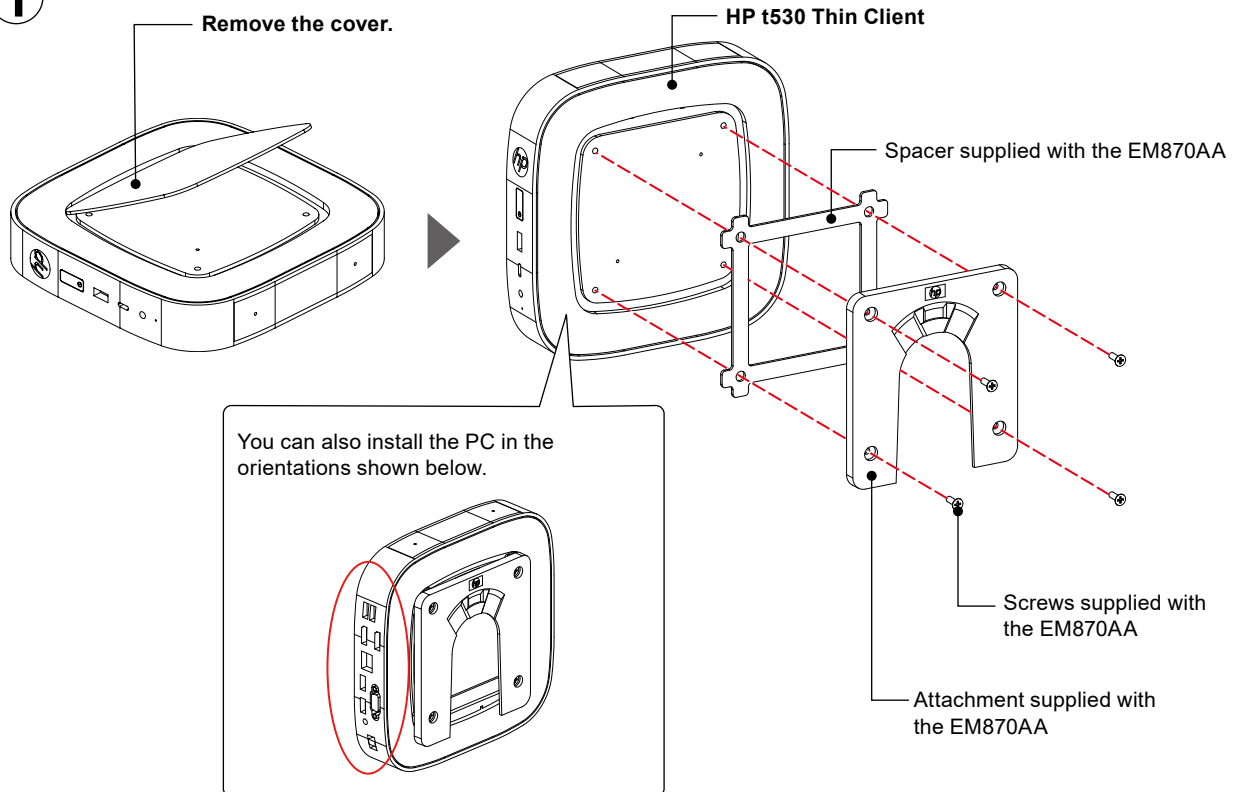
## Parts required

- EM870AA (Optional HP Quick Release Attachment)
  - Quick Release Attachment (2 types)
  - Screws : M4x12 (4 pcs.)
  - Spacer with a thickness of 2 mm
- Screws: M4x8 (included with PCSK-03; 4 pcs.)

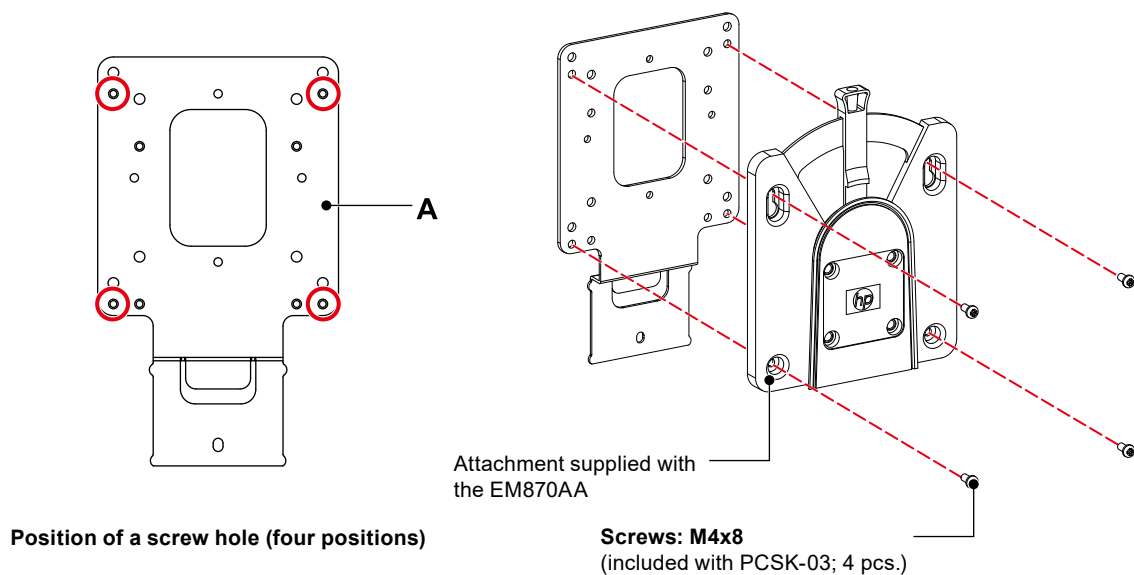
## Tools required

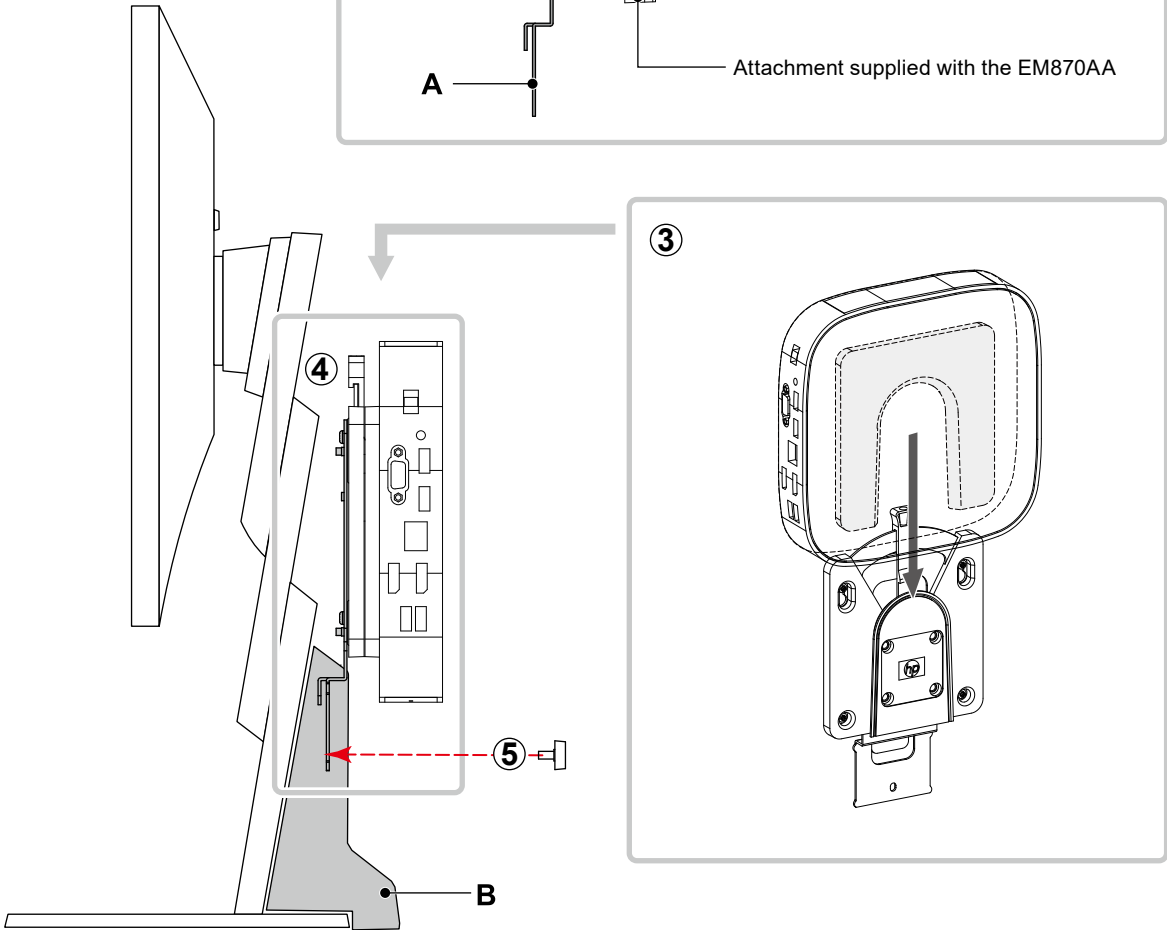
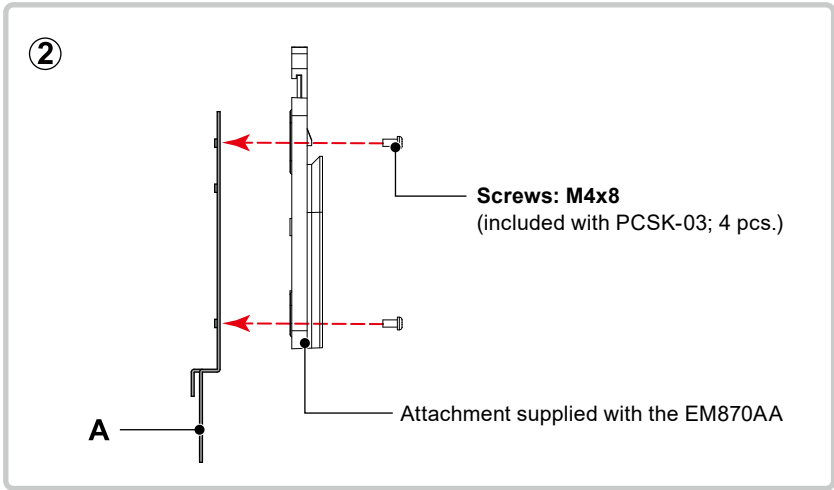
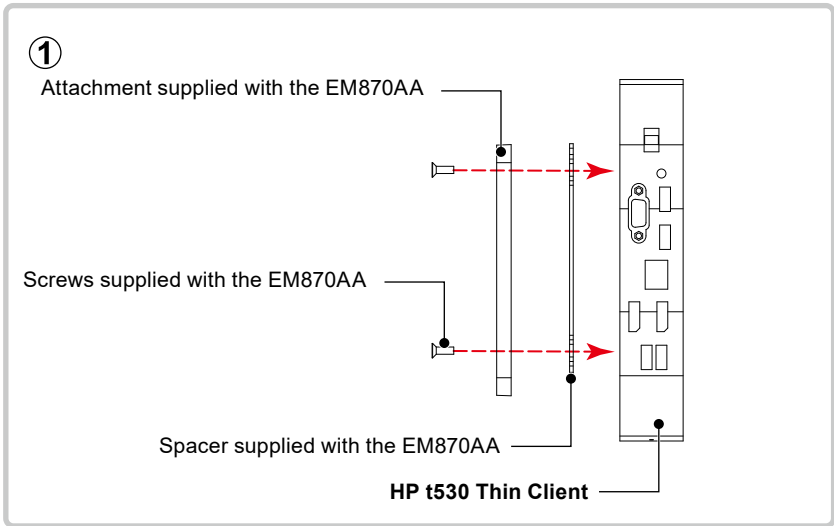
- Phillips screwdriver (#2)

1



2





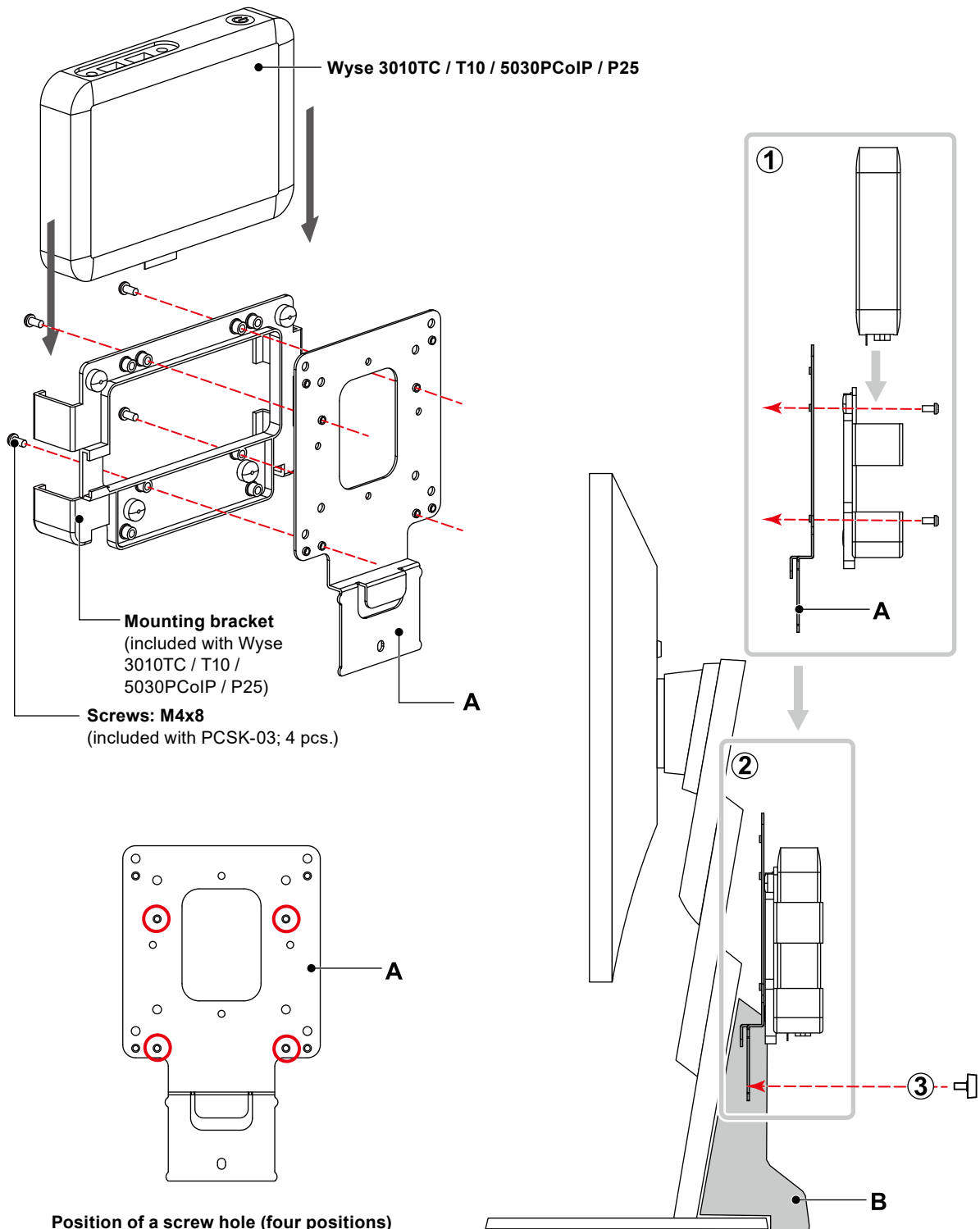
# Dell Wyse 3010TC / T10 / 5030PCoIP / P25

## Parts required

- Mounting bracket (included with Wyse 3010TC / T10 / 5030PCoIP / P25)
- Screws: M4x8 (included with PCSK-03; 4 pcs.)

## Tools required

- Phillips screwdriver (#2)



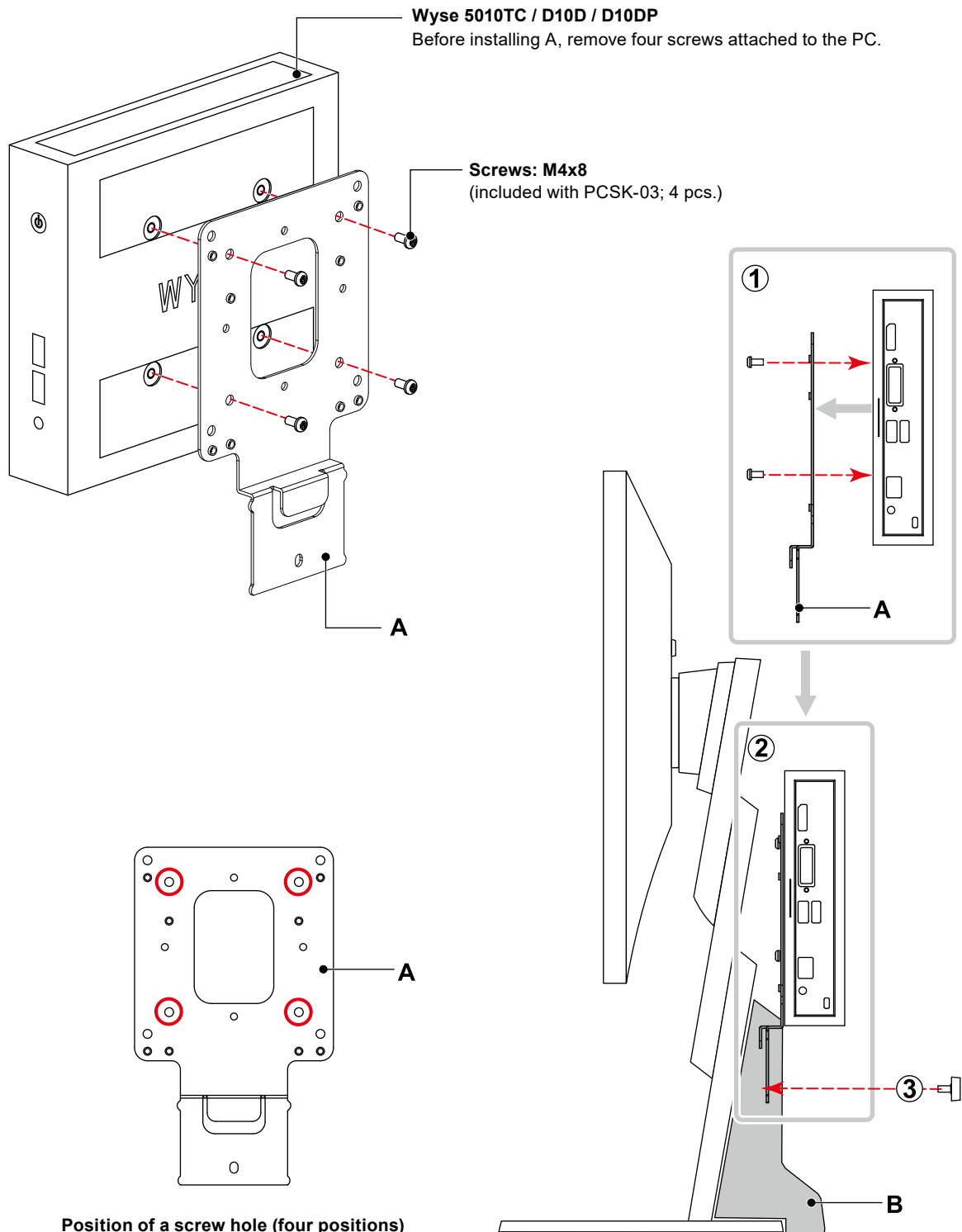
# Dell Wyse 5010TC / D10D / D10DP

## Parts required

- Screws: M4x8 (included with PCSK-03; 4 pcs.)

## Tools required

- Phillips screwdriver (#2)



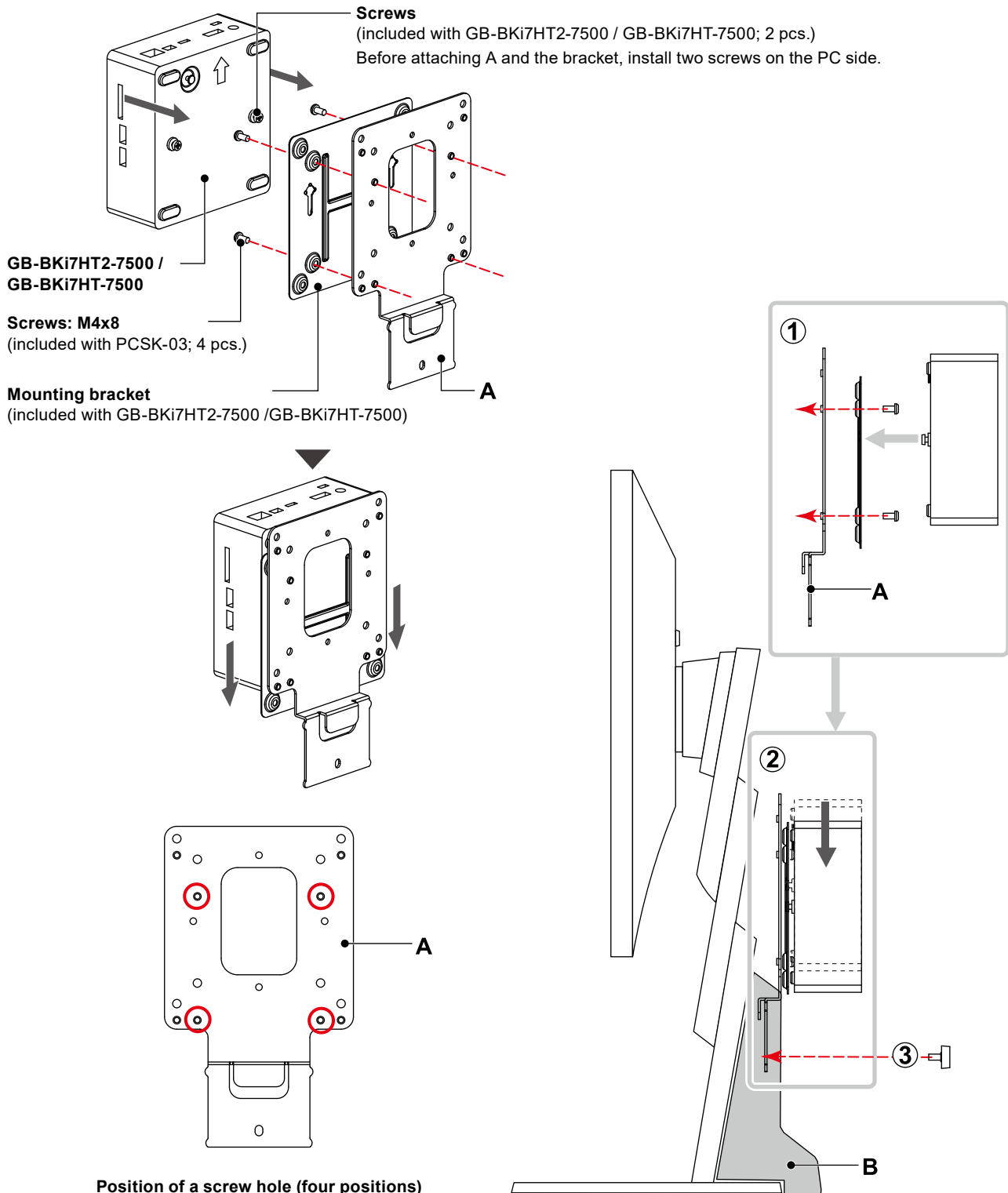
# GIGABYTE GB-BKi7HT2-7500 / GB-BKi7HT-7500

## Parts required

- Mounting bracket (included with GB-BKi7HT2-7500 / GB-BKi7HT-7500)
- Screws (included with GB-BKi7HT2-7500 / GB-BKi7HT-7500; 2 pcs.)
- Screws: M4x8 (included with PCSK-03; 4 pcs.)

## Tools required

- Phillips screwdriver (#2)





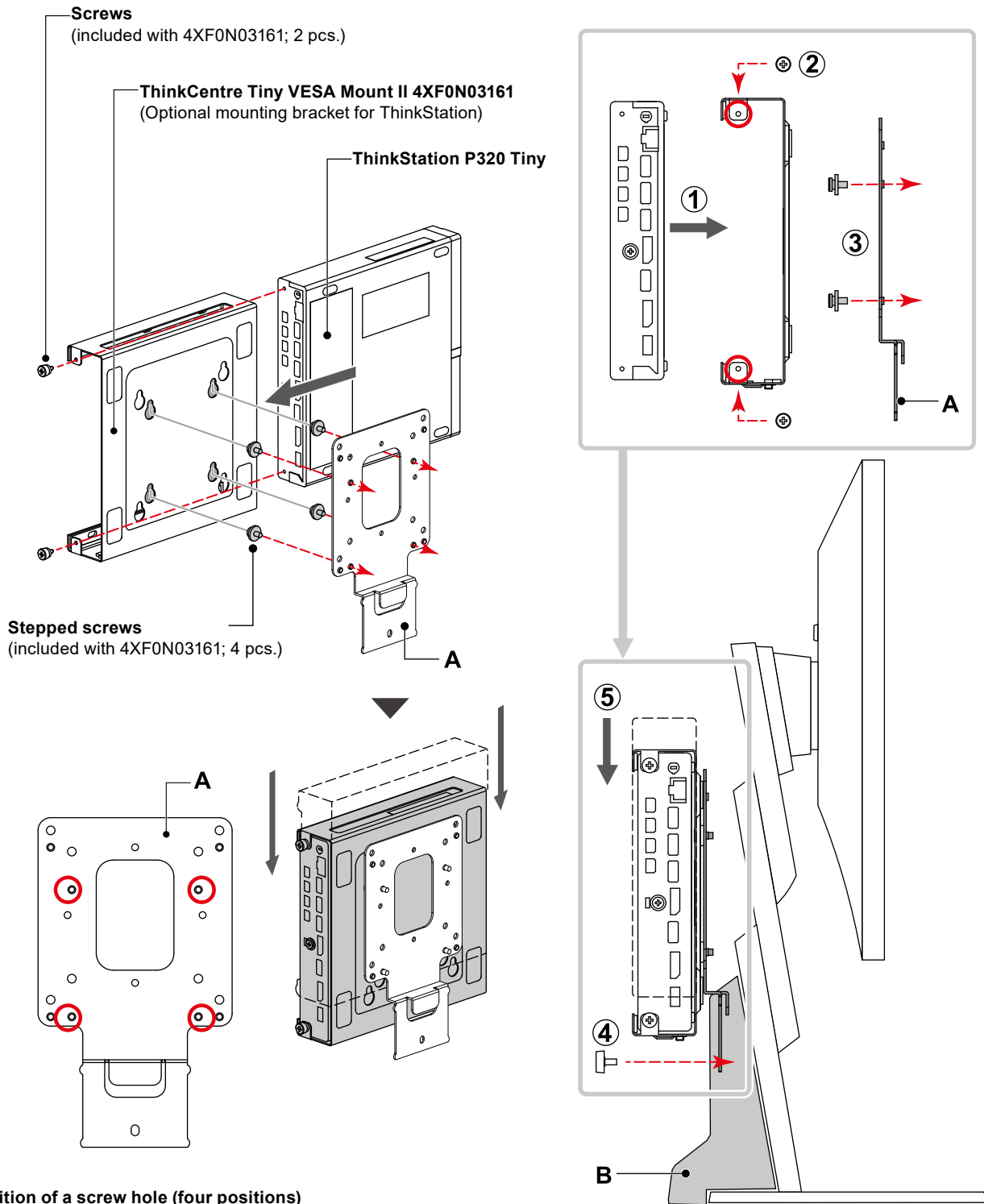
# Lenovo ThinkStation P320 Tiny

## Parts required

- ThinkCentre Tiny VESA Mount II 4XF0N03161 (Optional mounting bracket for ThinkStation)
- Screws (included with 4XF0N03161; 2 types; total of 6 pcs.)

## Tools required

- Phillips screwdriver (#2)



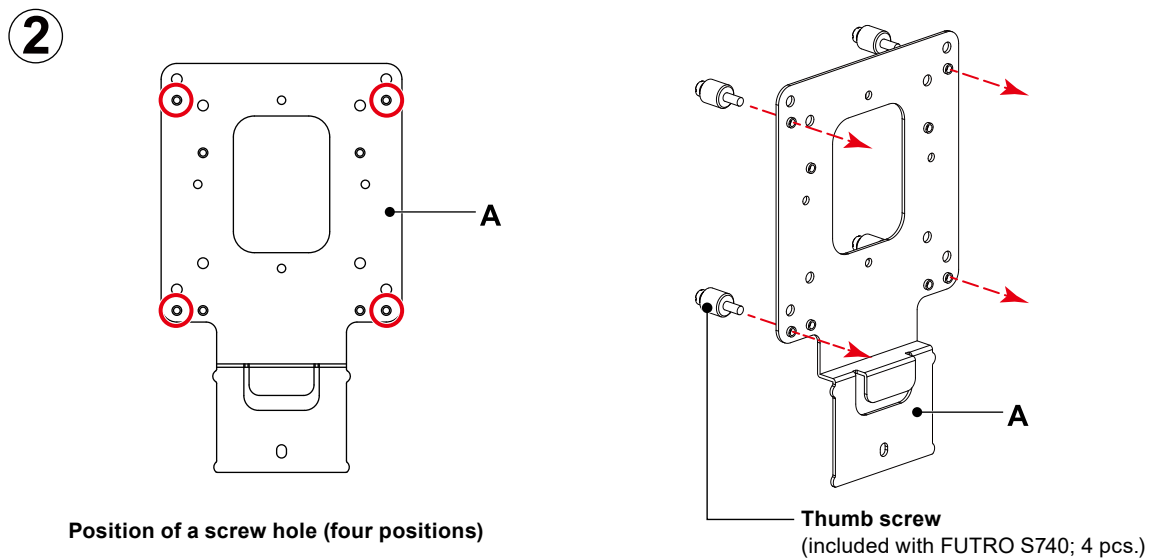
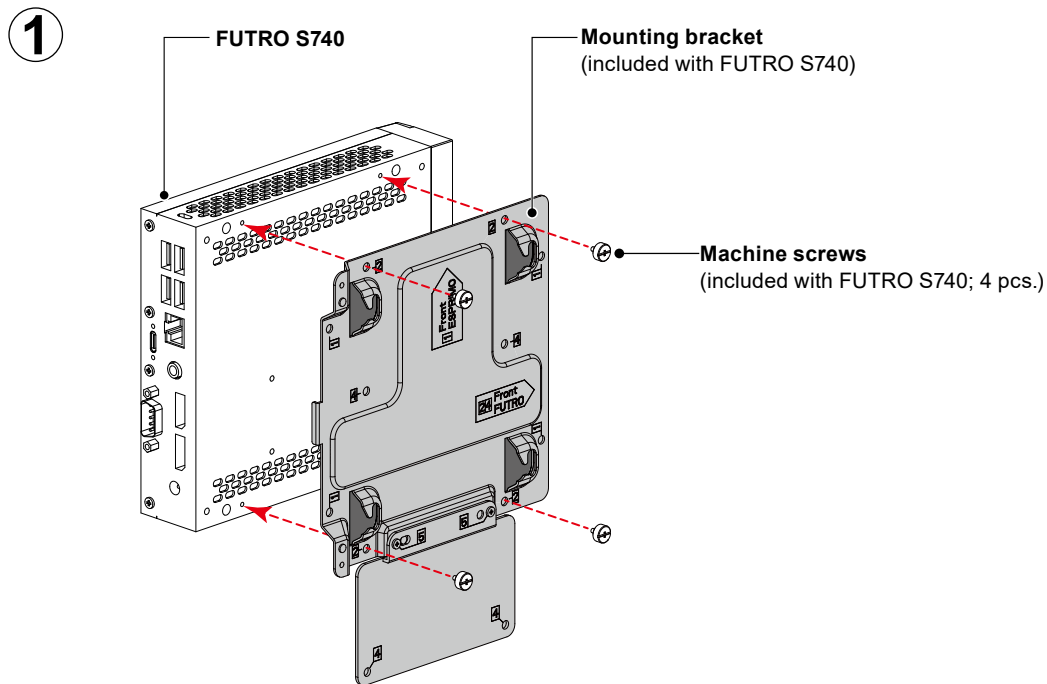
# FUJITSU FUTRO S740

## Parts required

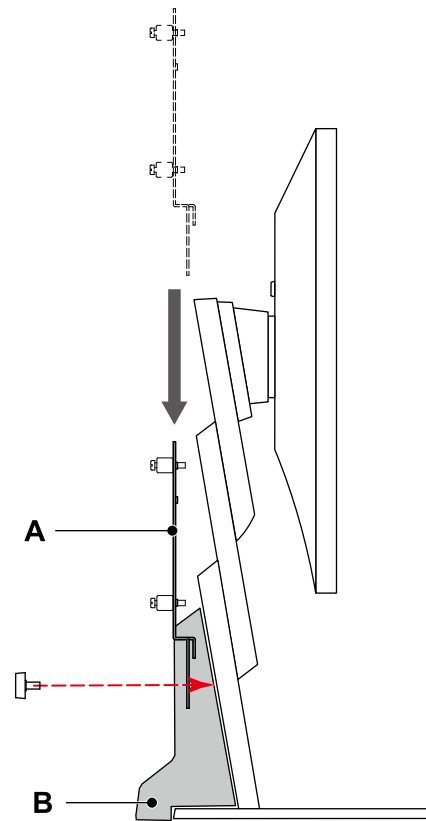
- Mounting bracket (included with FUTRO S740)
- Screws (included with FUTRO S740: 2 types; total of 8 pcs.)

## Tools required

- Phillips screwdriver (#2)

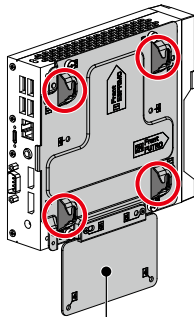


3



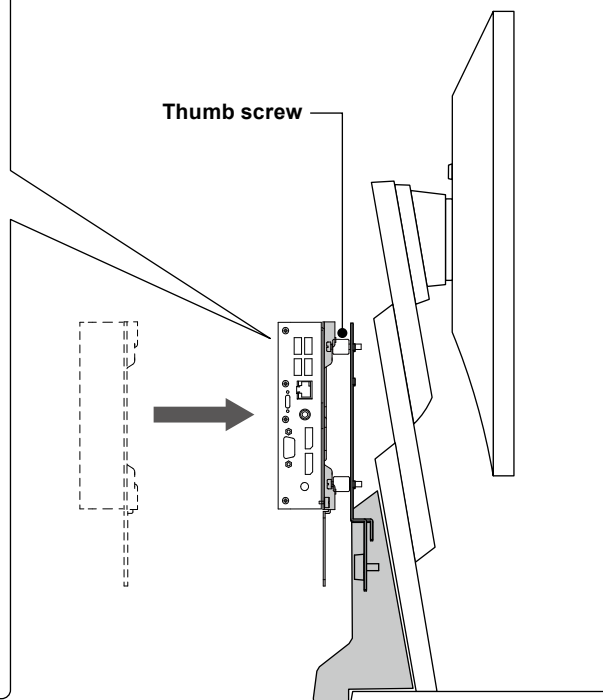
4

Hang the heads of the four thumb screws on the four hollows of the mounting bracket to mount the unit.



**Mounting bracket**  
(included with FUTRO S740)

Thumb screw



# EIZO DuraVision DX0211-IP

## Note

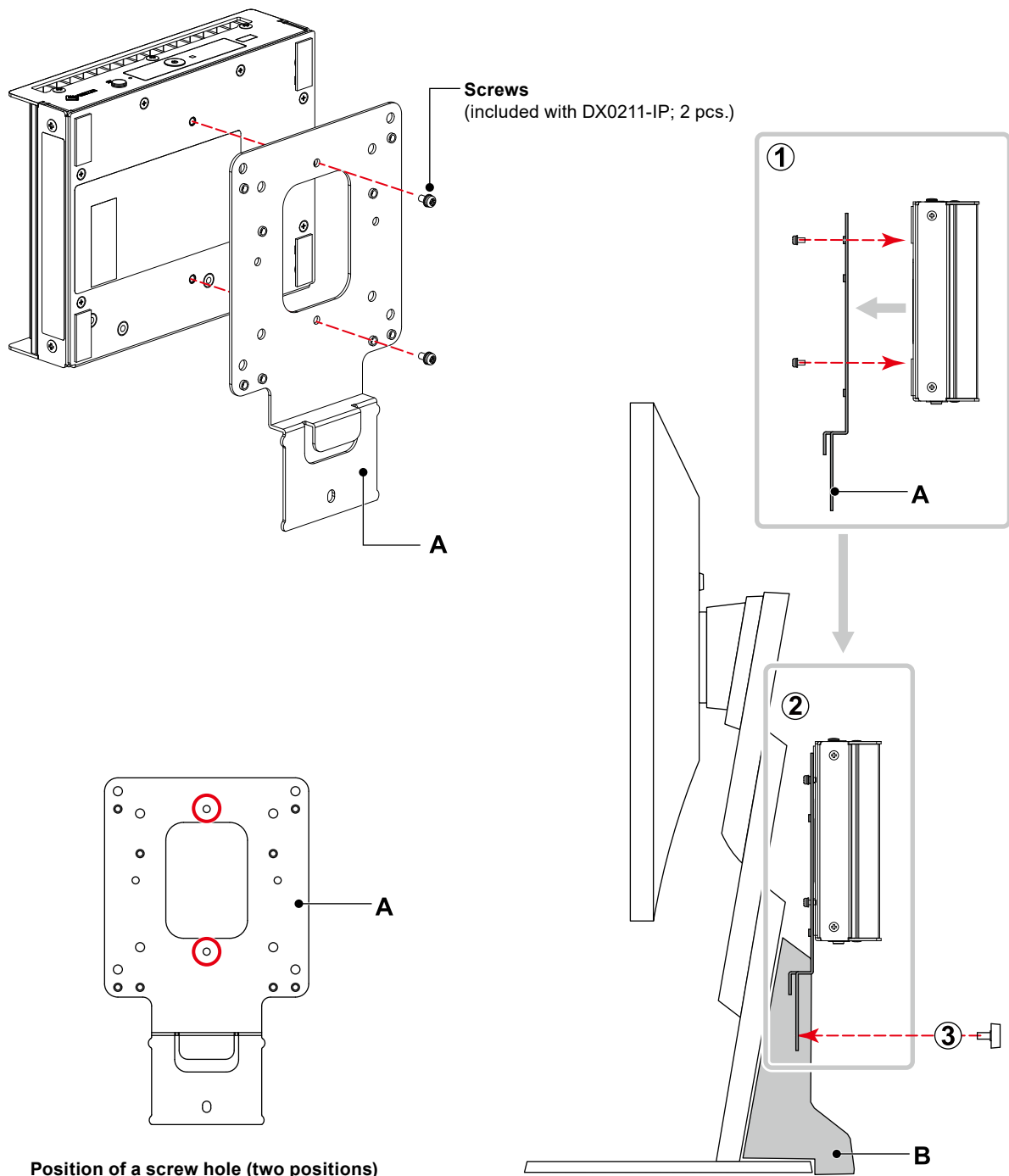
- Applies to products with Ver.5.2 of the software or newer versions.

## Parts required

- Screws (included with DX0211-IP; 2 pcs.)

## Tools required

- Phillips screwdriver (#2)



Position of a screw hole (two positions)

# EIZO DuraVision EVS1VX / EVS1VS

## Parts required

- Screws (included with EVS1VX / EVS1VS; 2 pcs.)

## Tools required

- Phillips screwdriver (#2)

