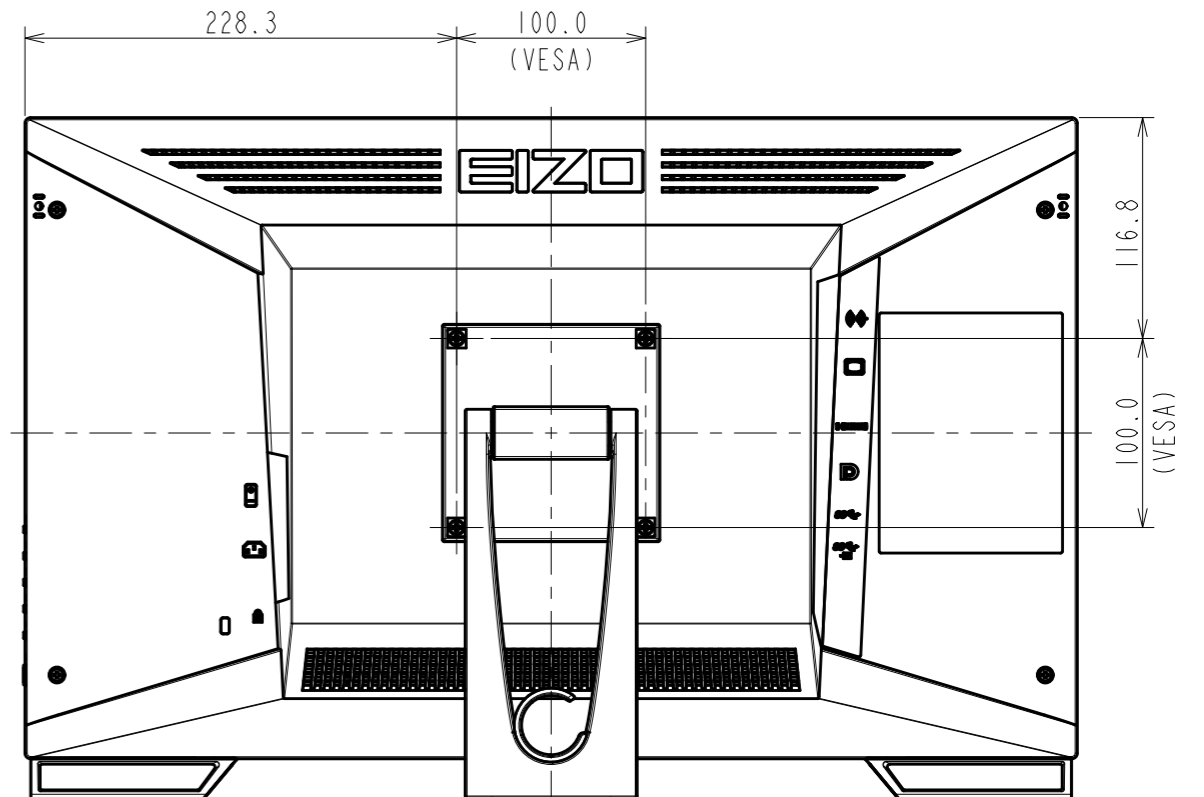
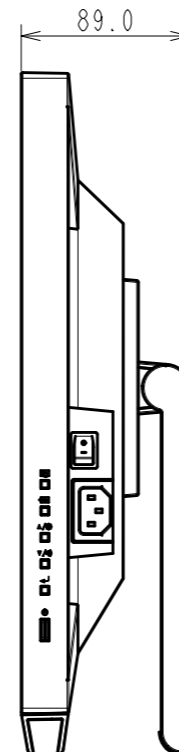
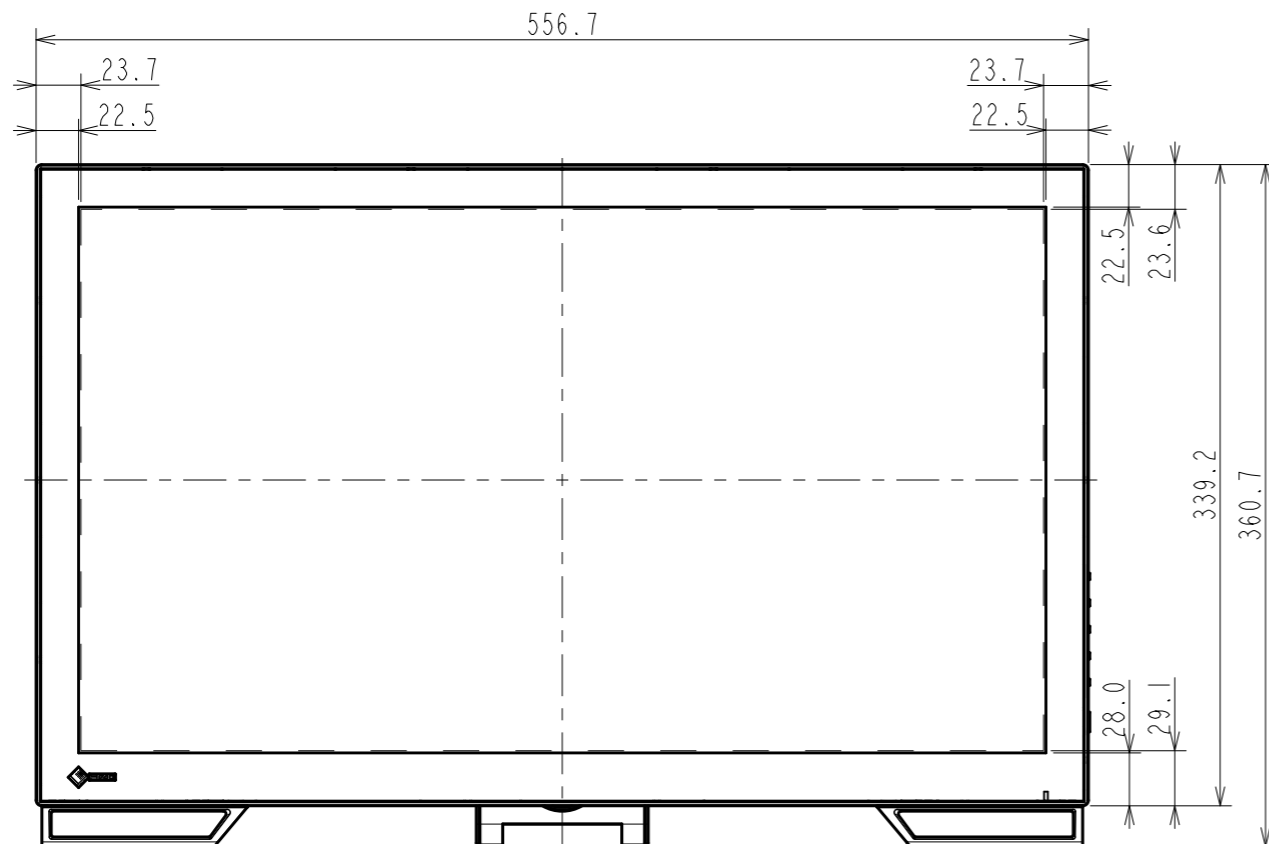
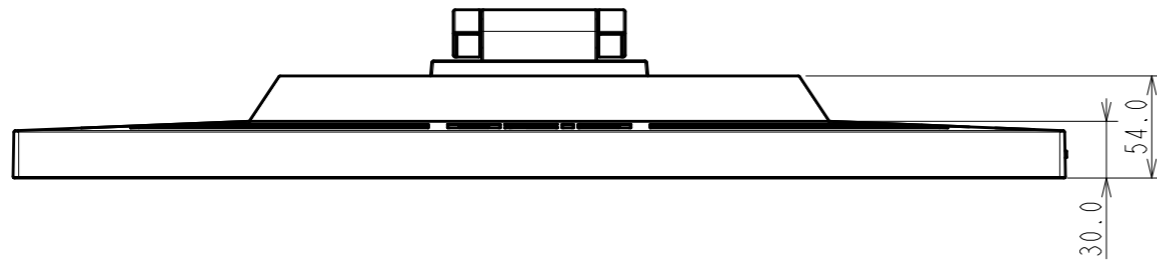
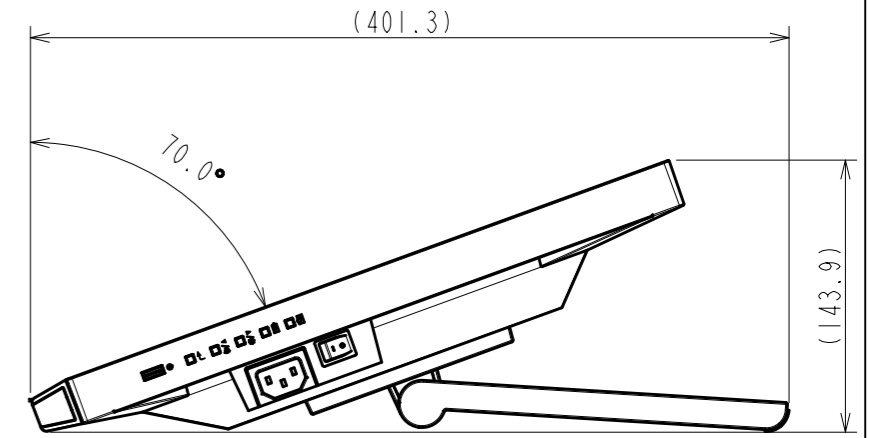
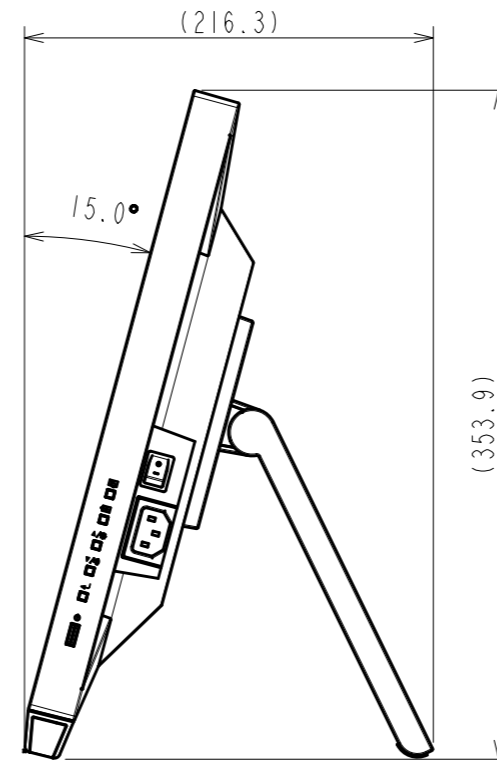


# OUTLINE DIMENSIONS

MODEL FDF2382WTA

UNIT mm

**EIZO Corporation**



# OUTLINE DIMENSIONS

MODEL FDF2382WTA

UNIT mm

**EIZO Corporation**

