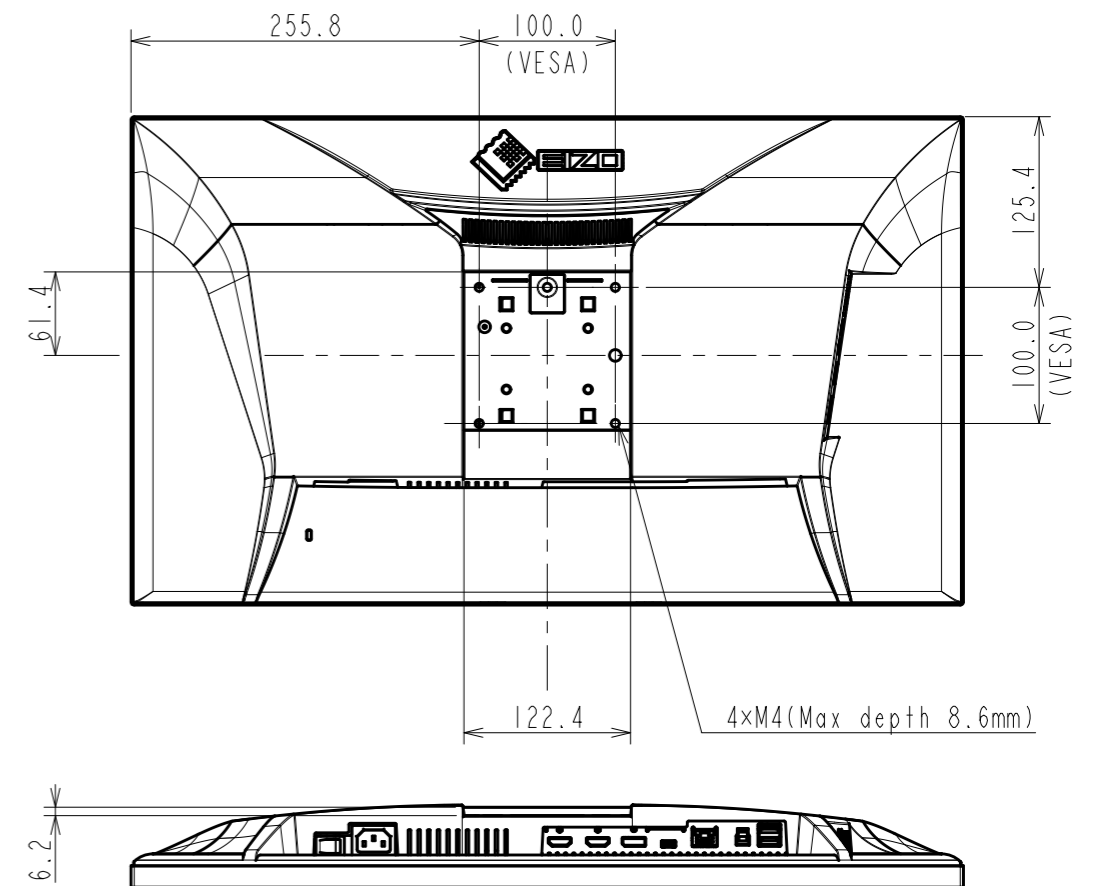
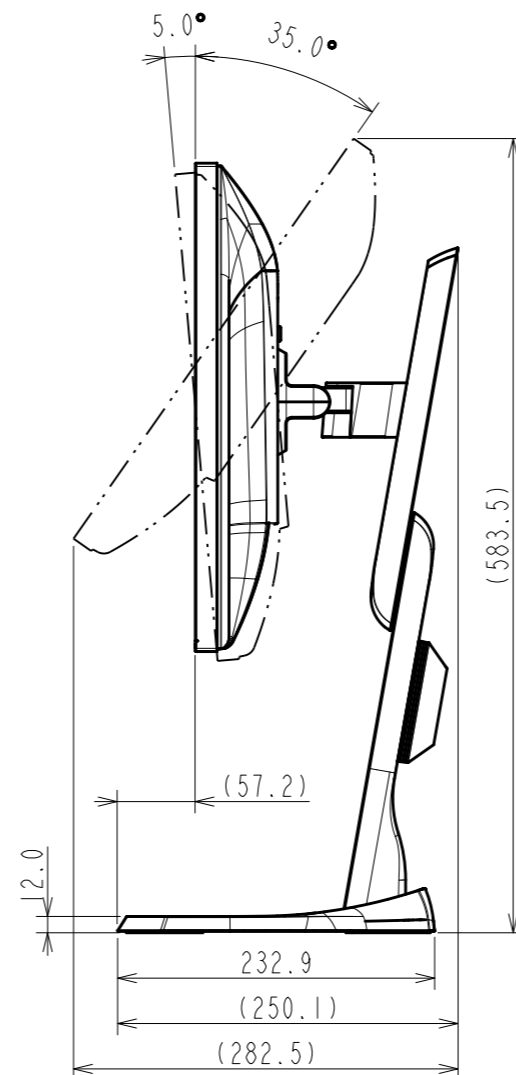
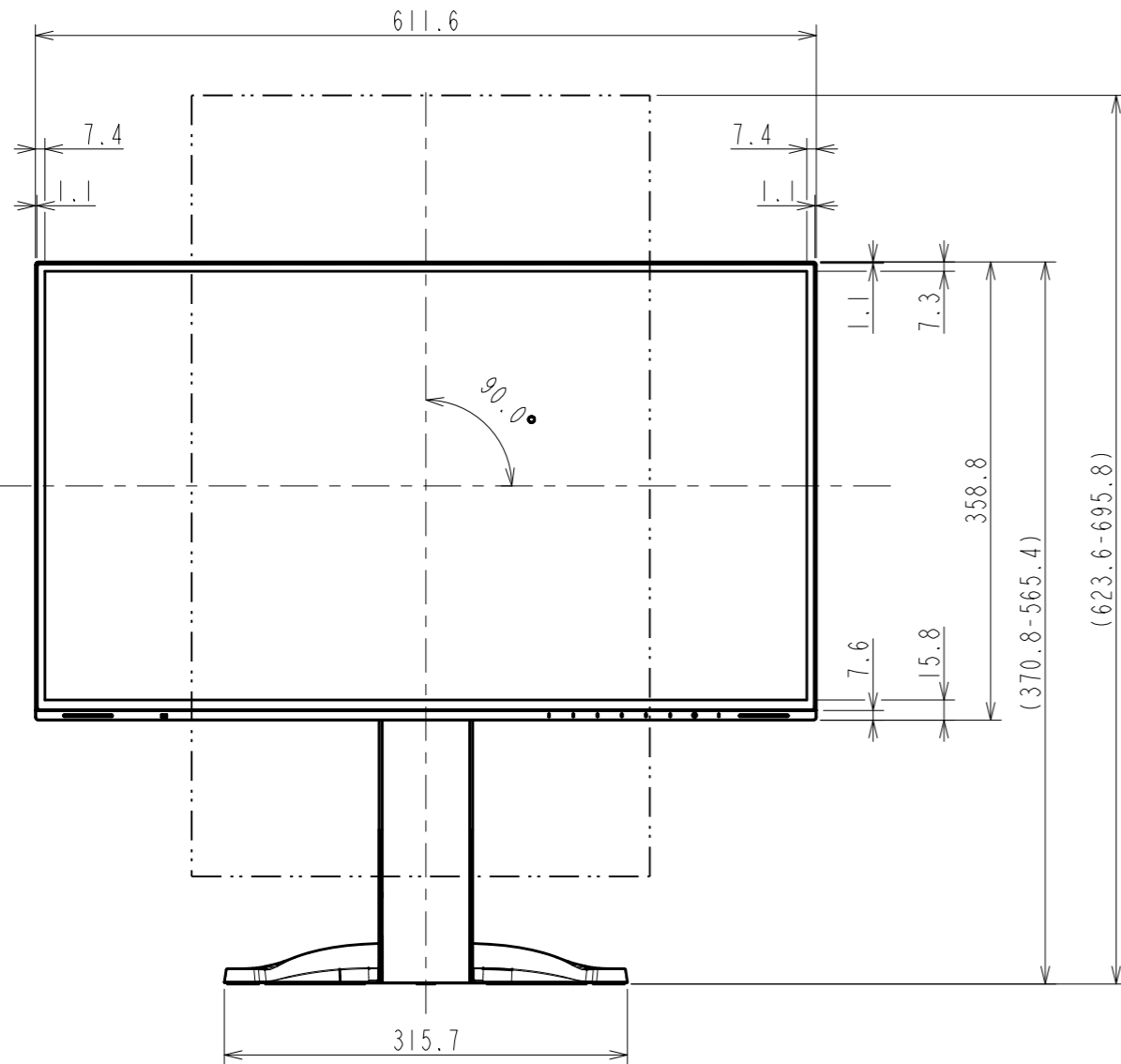
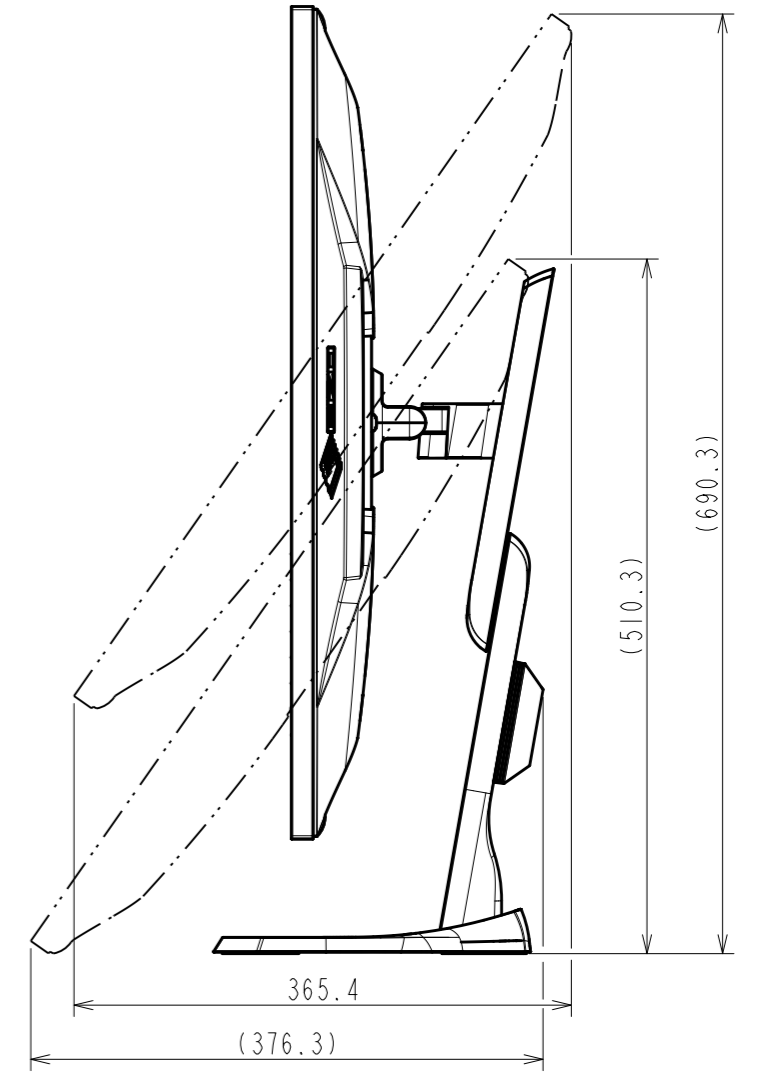
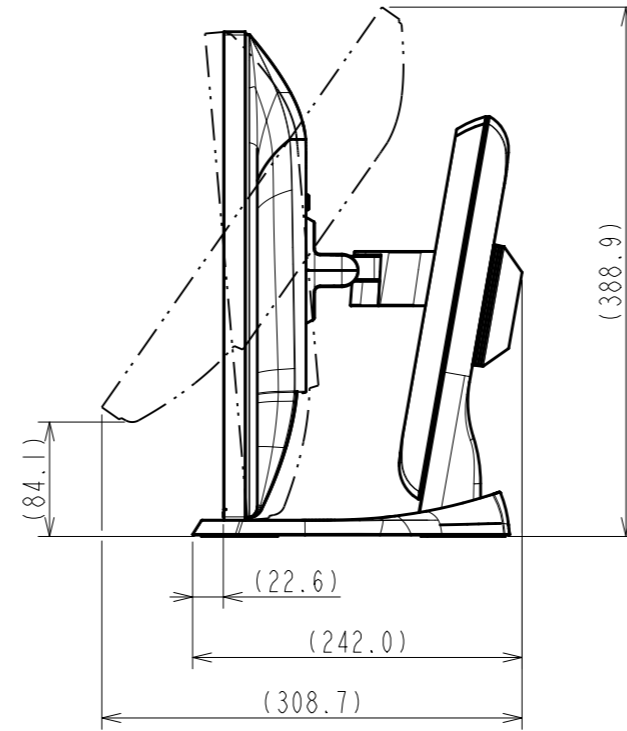
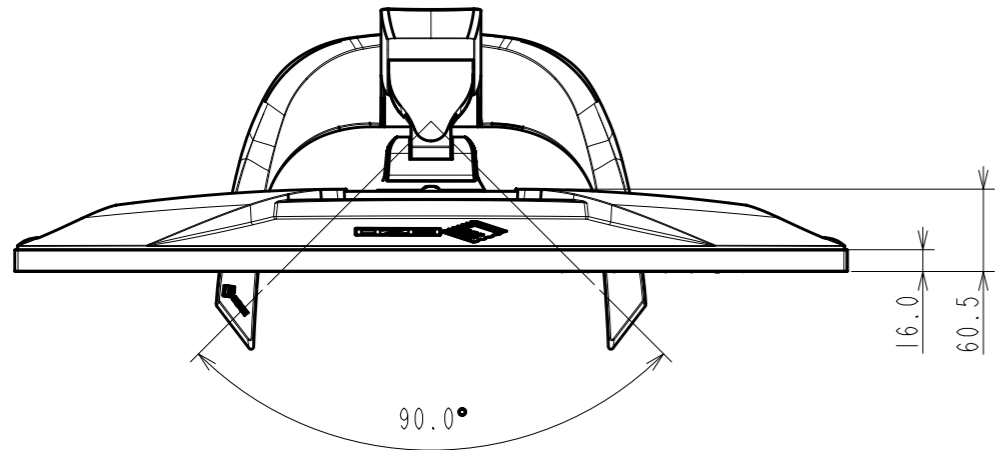


# OUTLINE DIMENSIONS

MODEL EV2740X

UNIT mm

**EIZO Corporation**



# OUTLINE DIMENSIONS

MODEL EV2740X

UNIT mm

**EIZO Corporation**

