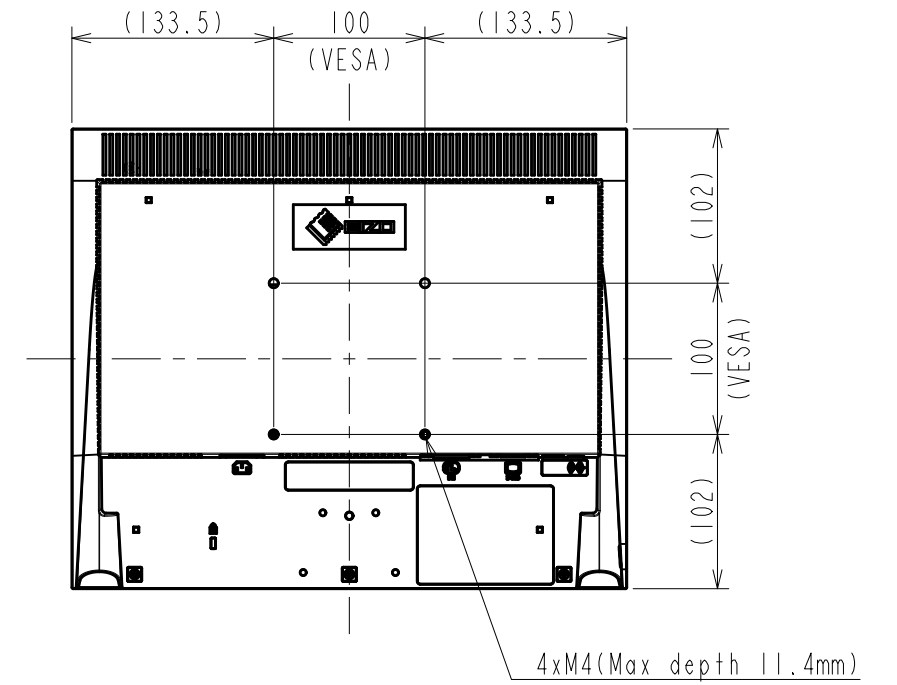
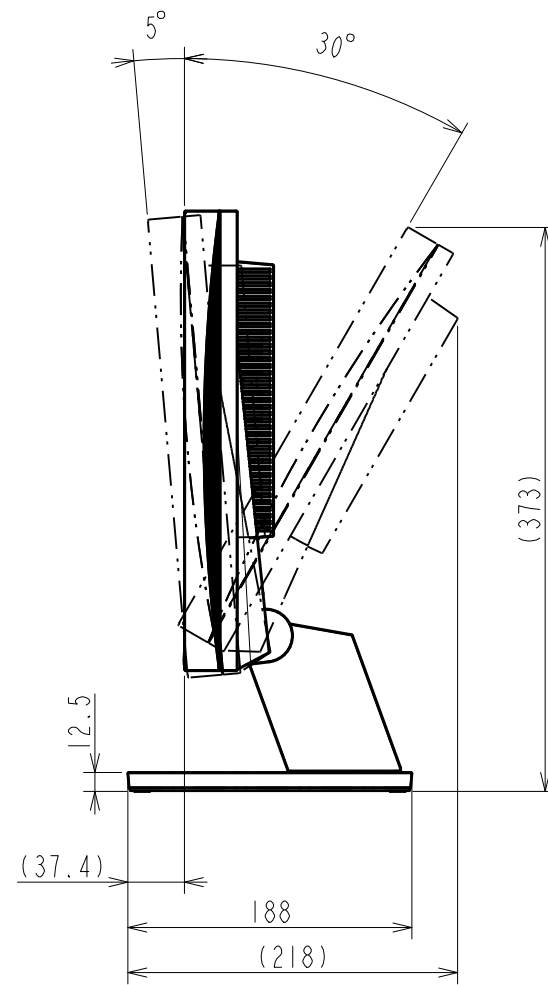
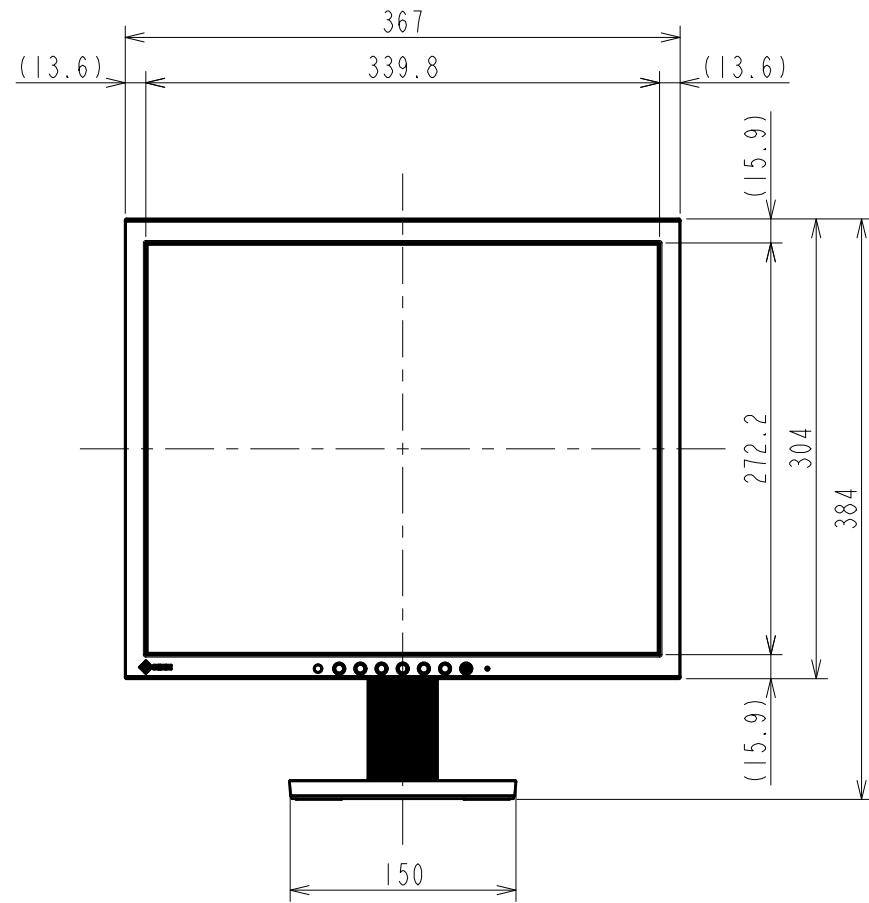
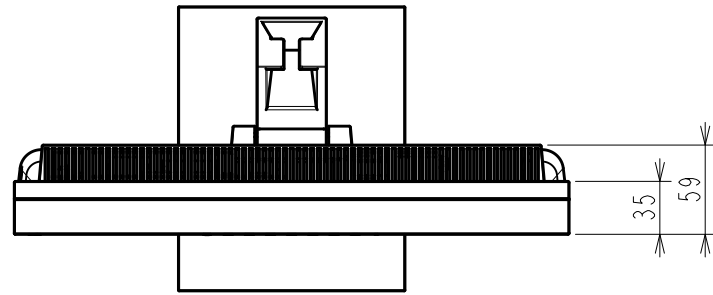


# OUTLINE DIMENSIONS

MODEL S1703-A

UNIT mm

**EIZO Corporation**

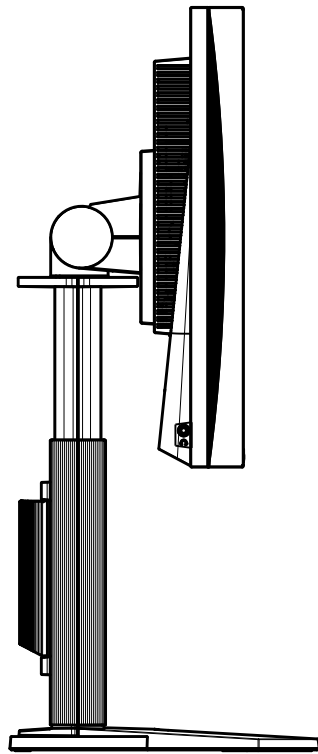
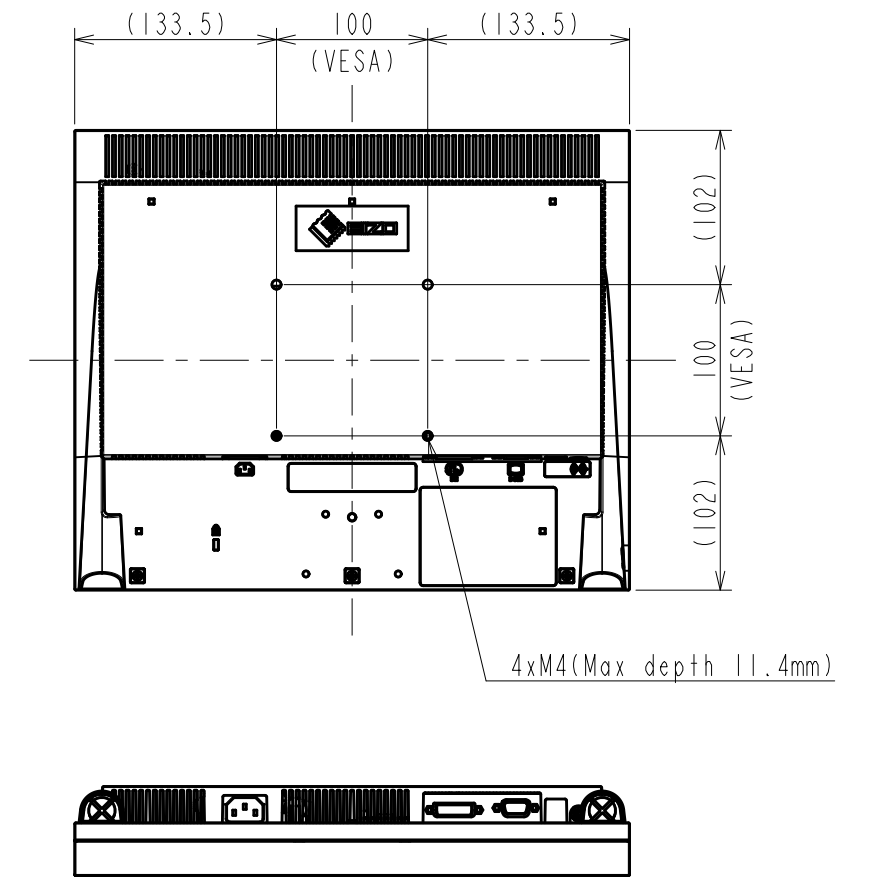
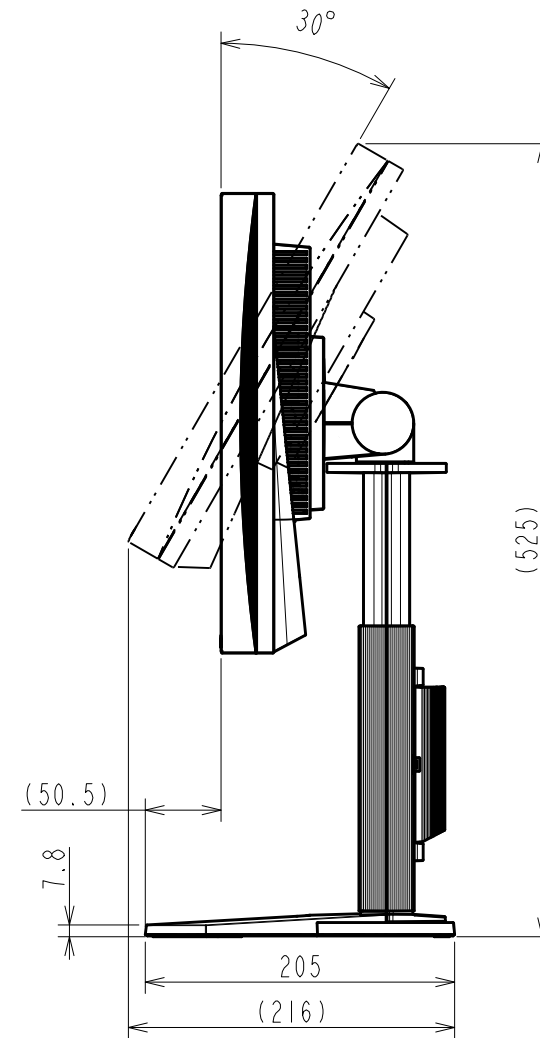
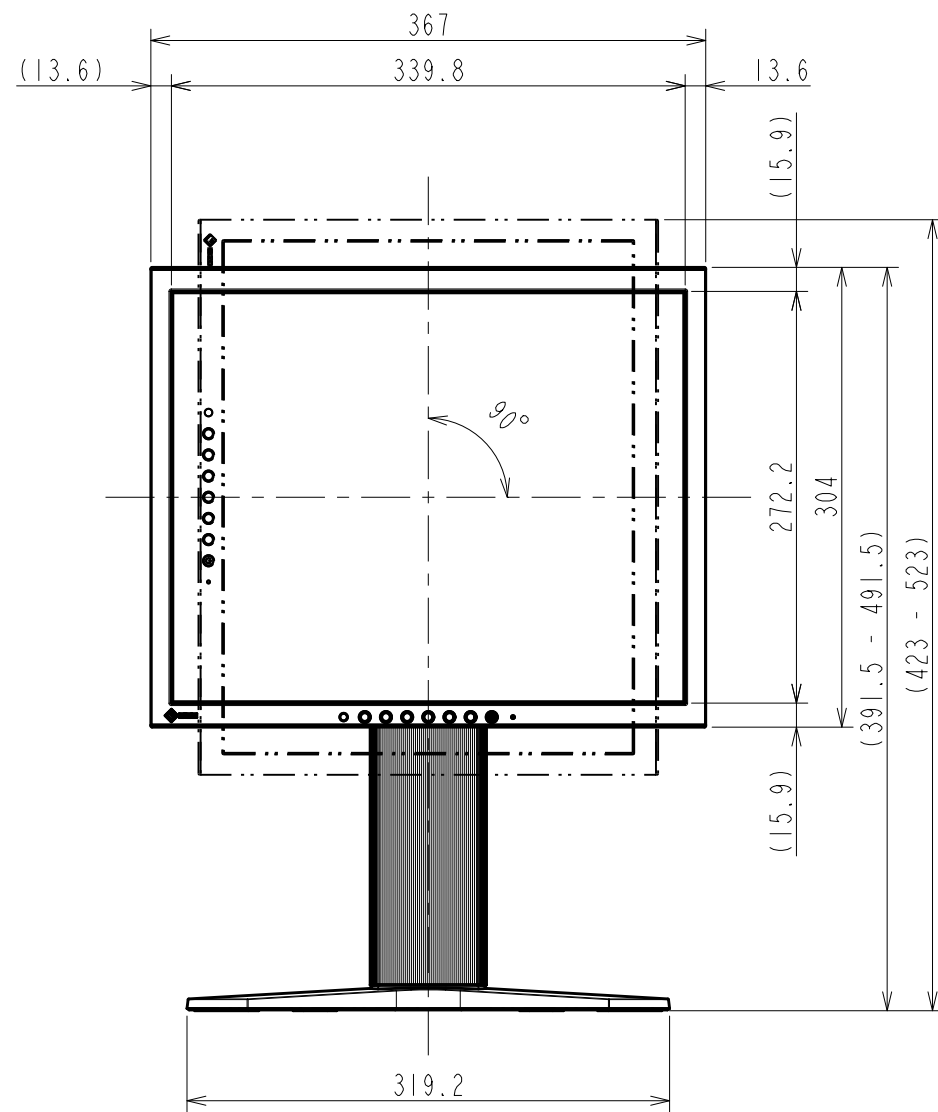
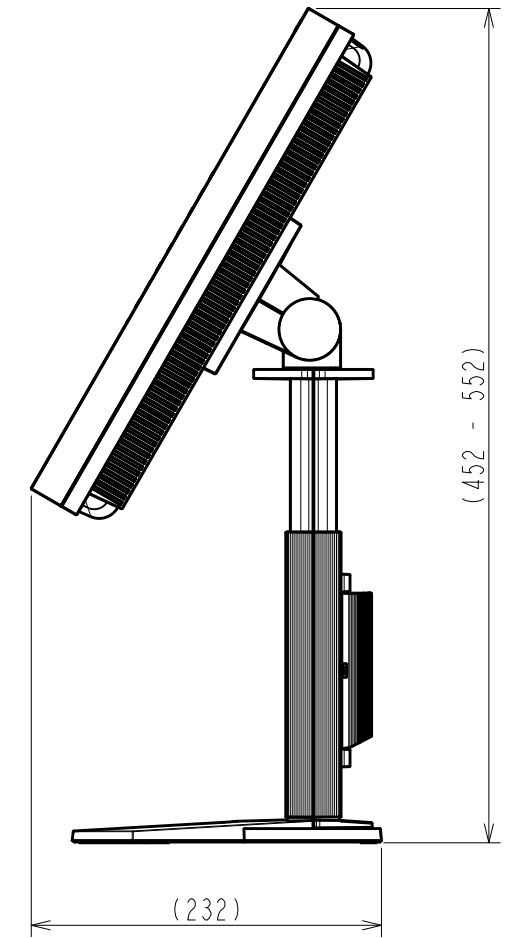
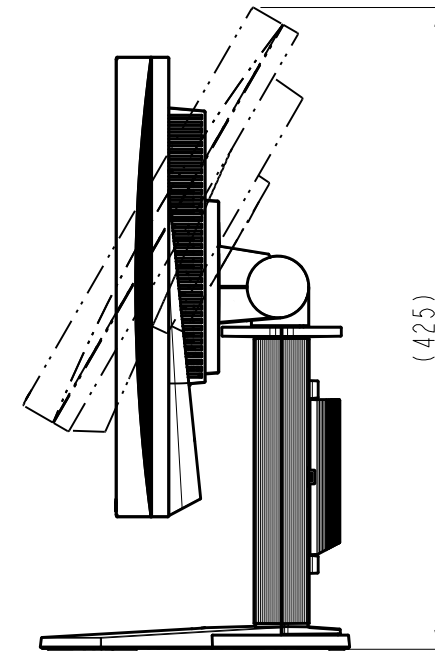
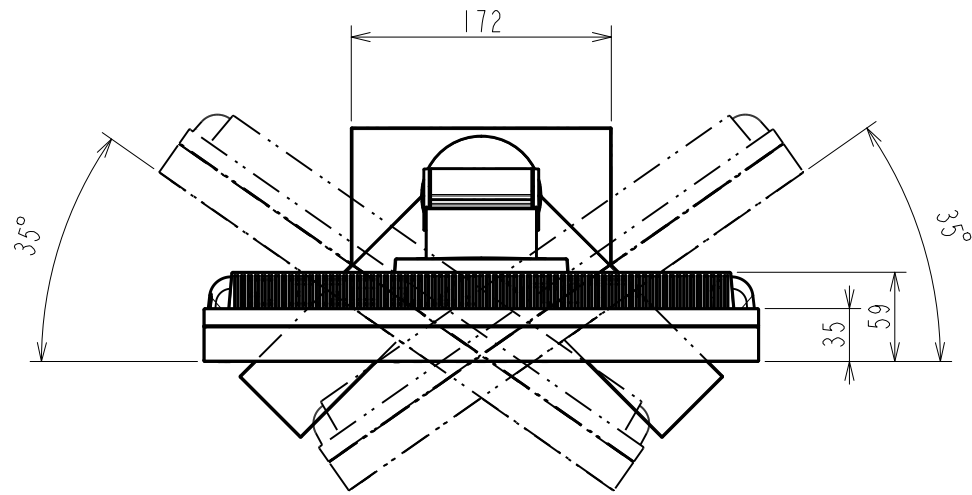


# OUTLINE DIMENSIONS

MODEL S1703-A

UNIT mm

**EIZO Corporation**

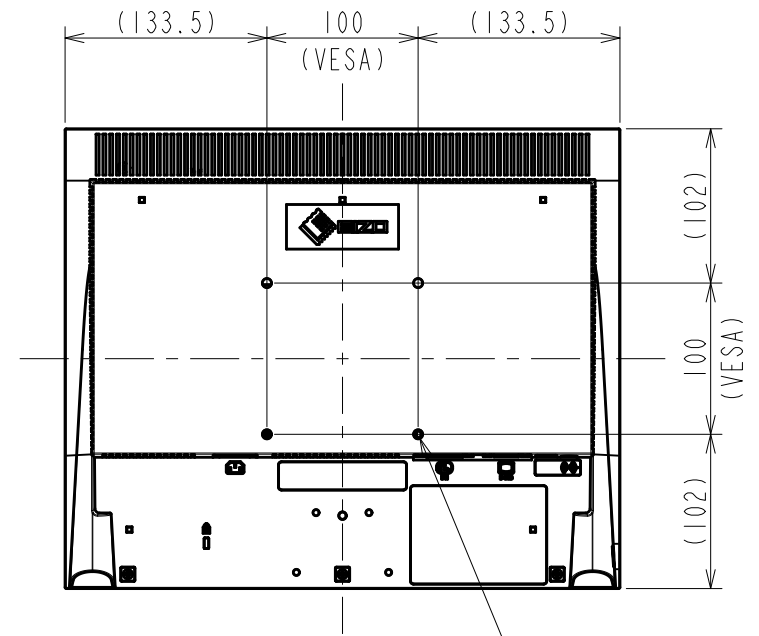
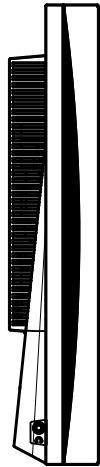
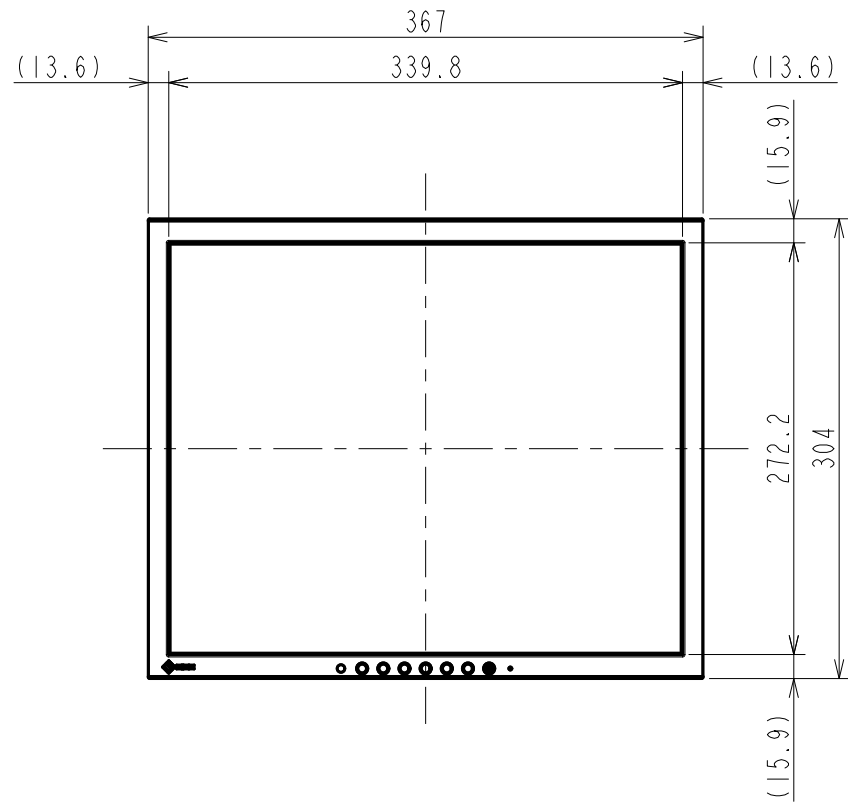


# OUTLINE DIMENSIONS

MODEL S1703-A

UNIT mm

**EIZO Corporation**



4xM4(Max depth 11.4mm)

