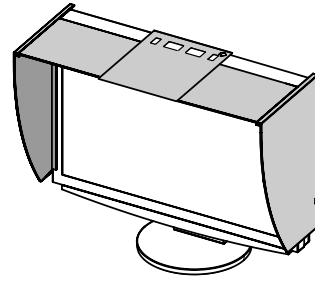


User's Manual

CH3

Monitor Hood



Thank you very much for choosing an EIZO product.
Please read this User's Manual carefully to familiarize yourself with safe and effective usage procedures.
Please retain this manual for future reference.

PRECAUTIONS

- To ensure personal safety and proper maintenance, please read this section.

CAUTION

Do not carry the monitor with attaching the hood.

Doing so may cause the hood to drop or slip off, which may result in injury or equipment damage.

Do not put any object on the hood.

Doing so may cause the hood to drop or monitor to fall, which may result in injury or equipment damage.



Attach only to specified EIZO LCD monitors.

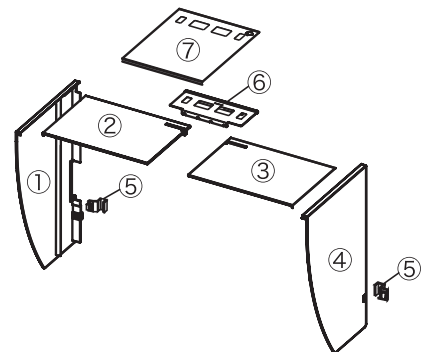
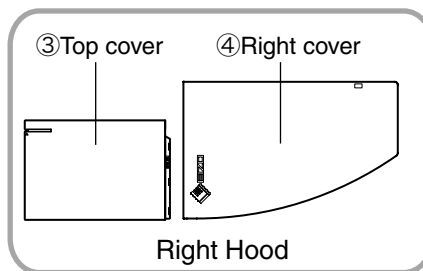
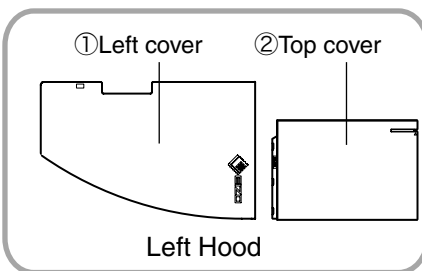
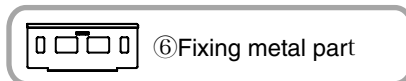
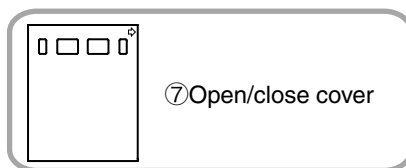
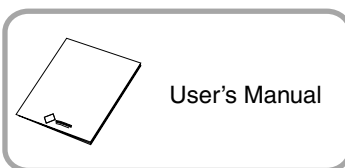
Attach only to specified EIZO LCD monitors. Attaching to other monitors may cause the hood to drop, which may result in injury or equipment damage. For the specified monitors, please visit our website at <http://www.eizo.com>.

Close the open/close cover until it stops at the stopper

If the cover is not closed properly, the ventilation slots on the monitor are covered and it prevents proper airflow. This may result in the overheat status inside the monitor and it may also result in fire, electric shock, or equipment damage.

Package Contents

Please contact your local dealer for assistance if any of the listed items are missing or damaged.

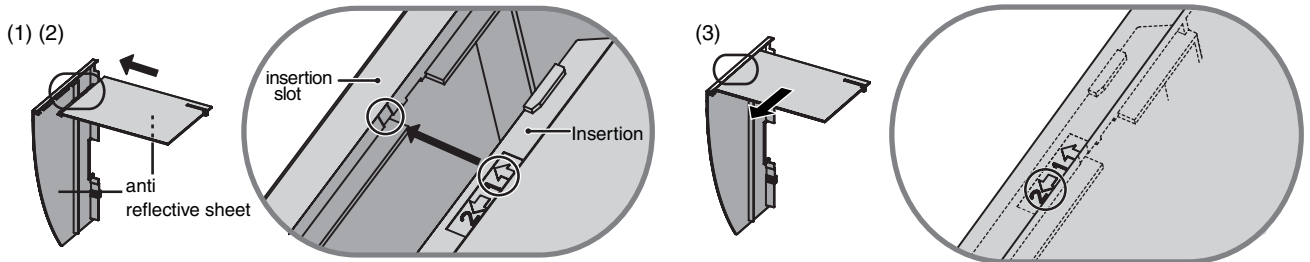


How to install

1. Assemble the left and right hoods.

NOTE

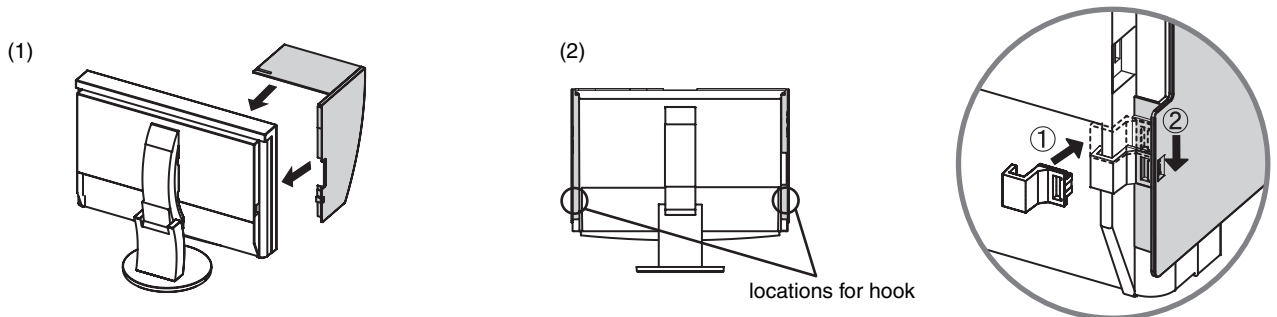
- Assemble the hoods in the arrow directions marked on the insertions of the right and left hoods (Top side).
- (1) Hold the left cover and top cover of the left hood with anti reflective sheet inside.
 - (2) Assemble the left and top covers fitting directly both the two lines of the insertion slot on the left cover and the arrow (1↑) marked on the insertion on the top cover.
 - (3) Slide top cover in the directions shown by the arrow (2←).
The left hood assembling completes.
 - (4) Assemble the right hood in the same way.



2. Attach the left and right hoods to the monitor.

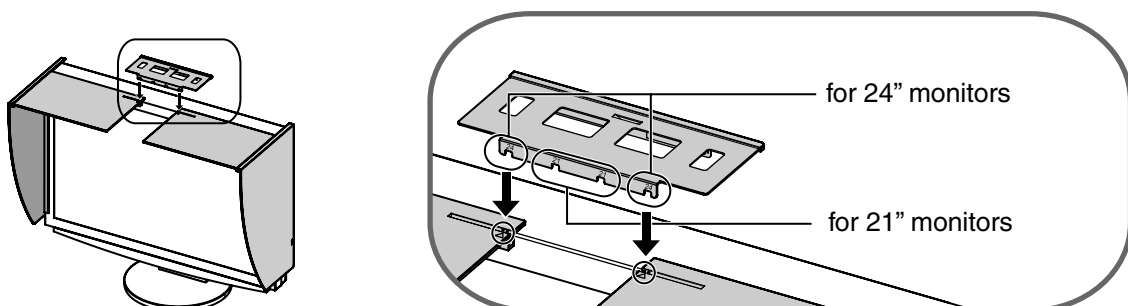
NOTE

- Be always sure to install the other hood after one hood is firmly attached with hook.
- (1) Attach the top side of the left hood on the monitor first and then fit the left side of the hood securely to fix the hood and monitor.
 - (2) Fix the hook on the projection of the back side of the monitor (①) and slide it down (②).
 - (3) Attach the right hood in the same way.



3. Attach the left and right hoods to the monitor with fixing metal part.

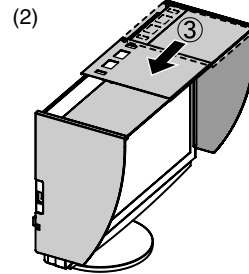
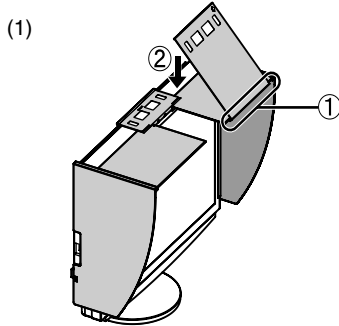
- (1) Confirm the depressions' positions of the fixing metal part.
- (2) Insert the fixing metal part to left and right hoods with positioning the projections (▲) in the groove of the right and left hoods, and depressions of fixing metal part.



4. Attach the open/close cover to the right hood.

NOTE

- Do not attach the open/close cover to the left hood. Doing so prevents the cover from closing.
- Place the open/close cover on the top of the right hood from front (①) to back (②).
 - Slide the open/close cover to the left (③) until it stops at the stopper. 4 holes of fixing metal part and open/close cover come to the same position.

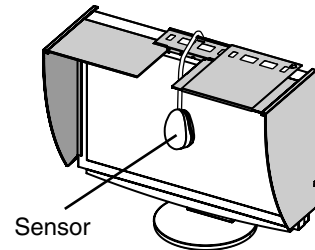


Calibration

When performing calibration, slide the open/close cover to the right (arrowed direction on the open/close cover) to attach the sensor.

NOTE

- The Open/close cover does not slide to the left cover.

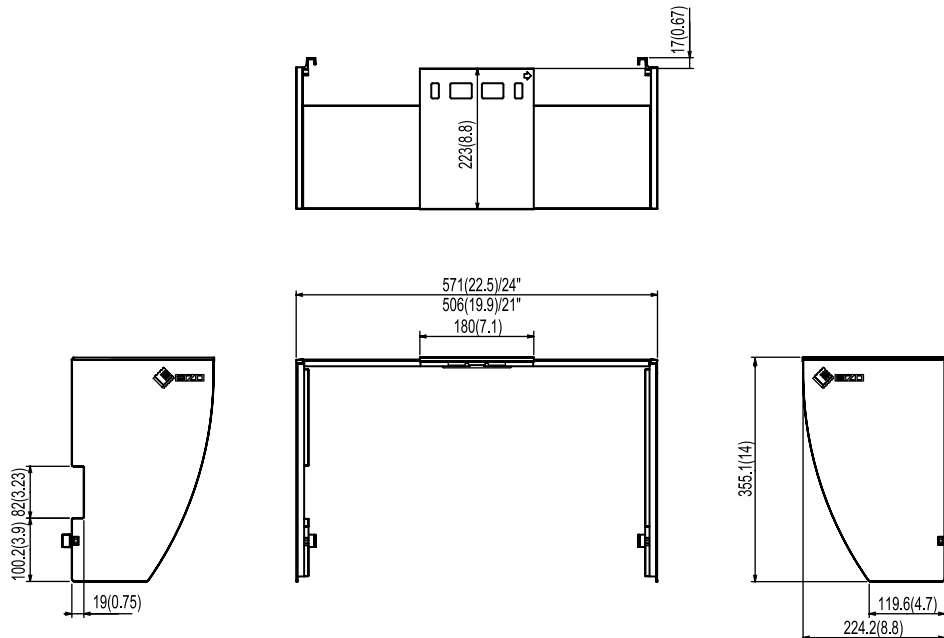


Specifications

Dimensions (W) × (H) × (D)	Attached to 21inch monitor	506 mm (19.9) × 355.1 mm (14) × 240 mm (9.4) (inch)
	Attached to 24inch monitor	571 mm (22.5) × 355.1 mm (14) × 240 mm (9.4) (inch)
Weight		790g(1.74 lbs)

Dimensions

Unit: mm (inch)



NOTE

故障/修理に関するお問い合わせ先

最寄りの下記エイゾーサポートにお問い合わせください。

エイゾーサポート仙台
〒980-0811 仙台市青葉区一番町2-3-22 仙台ビルディング 1号館
TEL (022) 212-8750 FAX (022) 212-8758

エイゾーサポート東京
〒143-0006 東京都大田区平和島6-1-1
東京流通センター 物流ビル B棟4F BW4-1
TEL (03) 5767-7726 FAX (03) 5767-7727

エイゾーサポート名古屋
〒460-0003 名古屋市中区錦1-6-5 名古屋錦第一生命ビル
TEL (052) 232-0151 FAX (052) 232-7705

エイゾーサポート北陸
〒926-8566 石川県七尾市藤橋町ア部8-2
TEL (0767) 52-7700 FAX (0767) 52-0202

エイゾーサポート大阪
〒660-0862 尼崎市開明町2-11 神鋼建設ビル
TEL (06) 6414-3770 FAX (06) 6414-3771

エイゾーサポート福岡
〒810-0004 福岡市中央区渡辺通3-6-11 福岡フコク生命ビル
TEL (092) 762-2170 FAX (092) 715-7781

営業時間：月～金 9：30～17：30（祝祭日及び弊社休日を除く）

廃棄について

- 個人のお客様
自治体の指示に従って廃棄してください。
- 法人のお客様
産業廃棄物として処理してください。

EIZO NANAO CORPORATION
153 Shimokashiwano, Hakusan, Ishikawa 924-8566 Japan

EIZO NANAO TECHNOLOGIES INC.
5710 Warland Drive, Cypress, CA 90630, USA

株式会社ナナオ

〒924-8566 石川県白山市下柏野町153番地
<http://www.eizo.com>

Copyright© 2006 EIZO NANAO CORPORATION All rights reserved.

This document is printed on recycled chlorine free paper.

1st Edition-October, 2006 Printed in Japan.

00NOL290A1
(U.M-CH3)